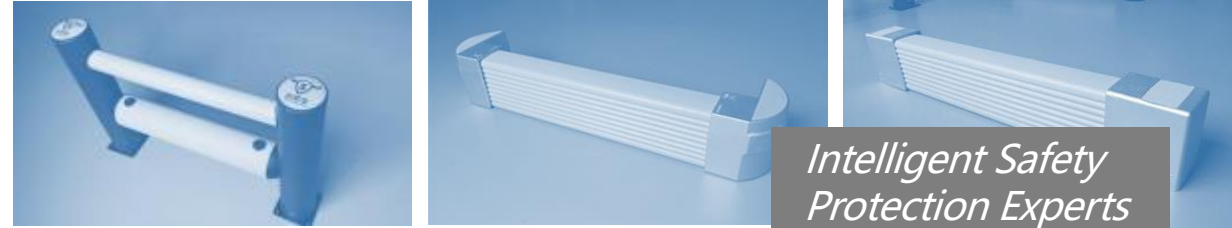
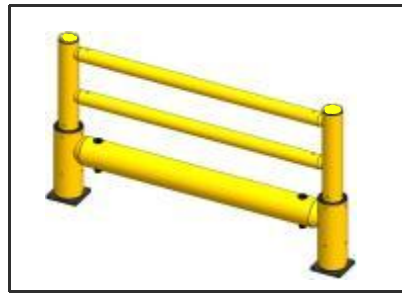


Menu



*Intelligent Safety
Protection Experts*



H Barriers (Page 2)



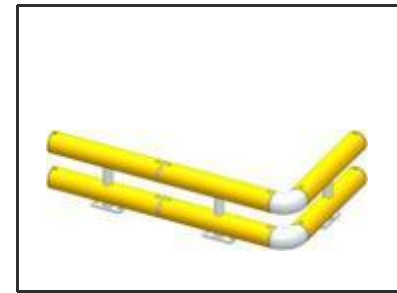
M Barriers (Page 8)



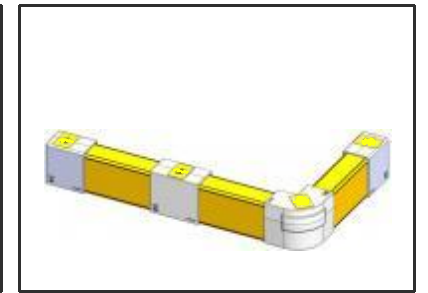
L Barriers (Page 19)



E Barriers (Page 26)



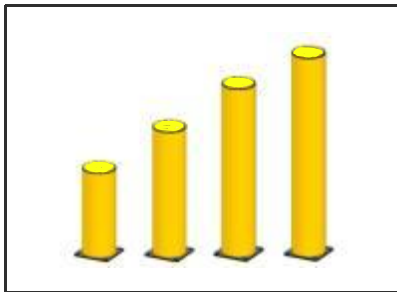
S Barriers (Page 29)



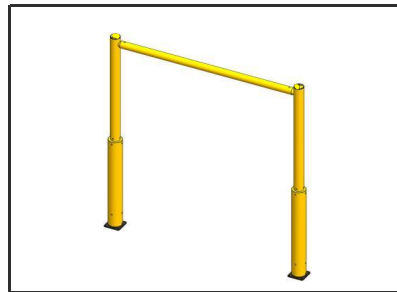
Ground Barriers (Page 34)



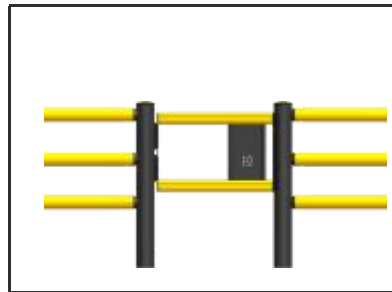
High Barriers (Page 40)



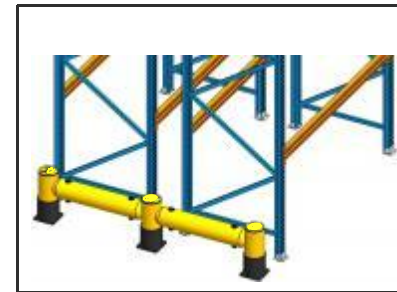
Bollards (Page 44)



Height Restrictor (Page 48)



Door (Page 51)



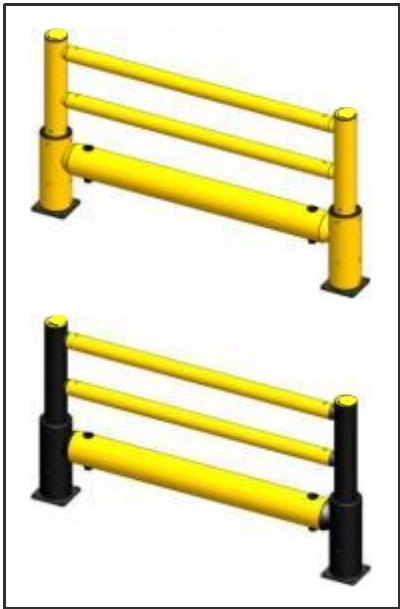
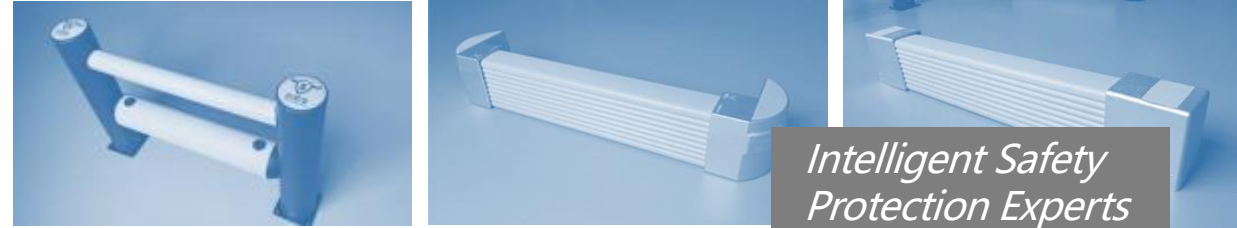
Shelf Protection (Page 54)



Others (Page 59)



H Barriers



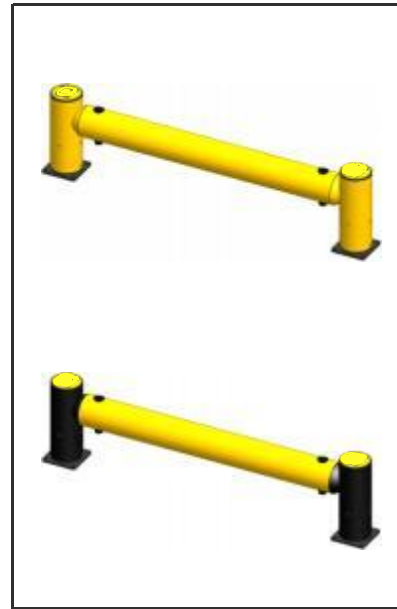
HC Triple Barriers (Page 3)



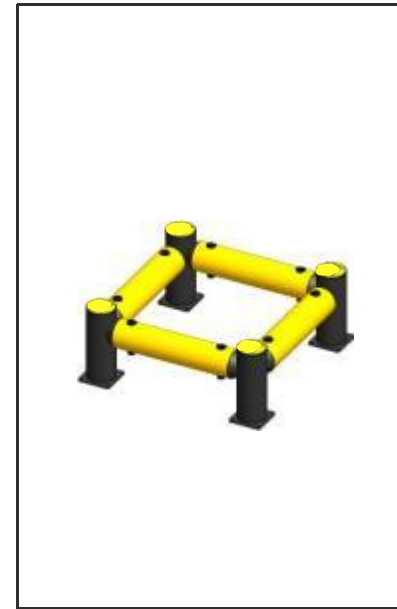
HC Triple Building Barriers (Page 4)



HC Double Barriers (Page 5)



HC Single Barriers (Page 6)



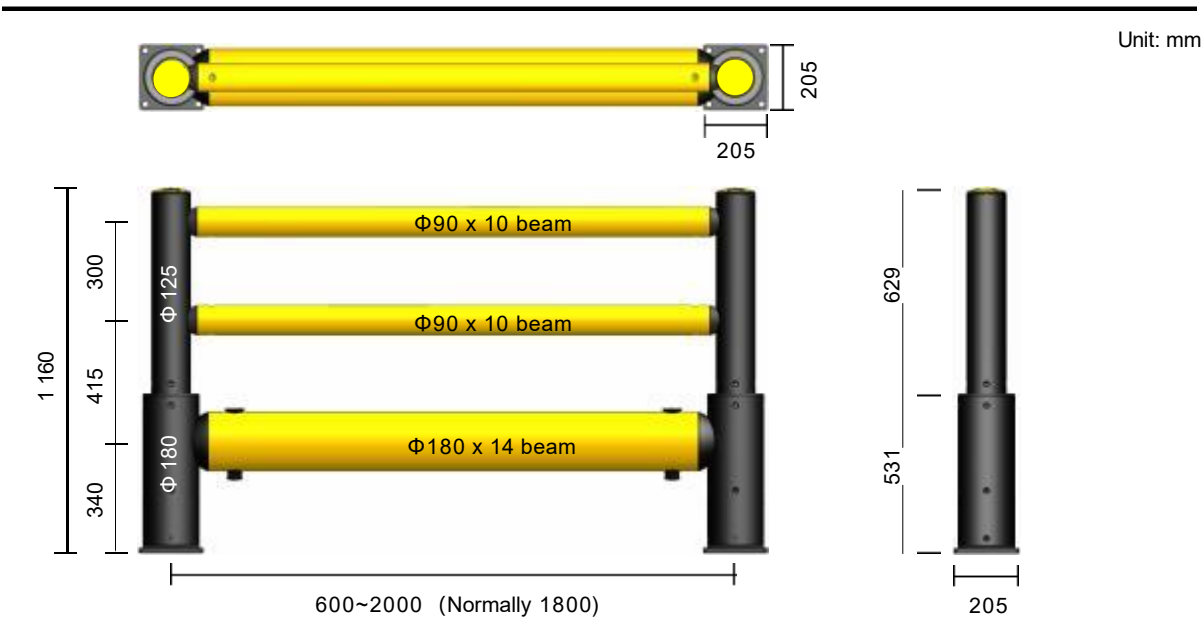
HC Single Building Barriers (Page 7)



HC Triple Barriers

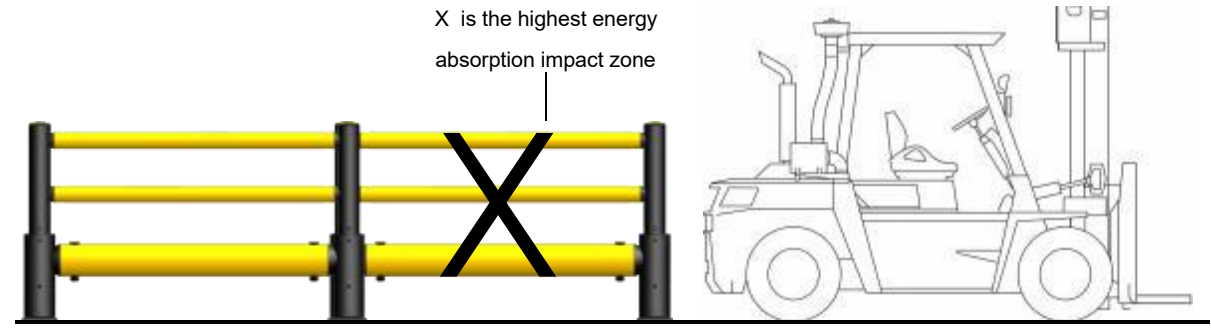


Scenes: Areas such as separation passages for pedestrians and vehicles, define and optimize the routing, protect people, machinery and equipment from impact damage.



Parts	Description
Pipe	Developed by imported polymer plastic, which have strong weather and chemical resistance, not easy to age; natural color with low chemical activity; UV resistance meets ISO4892-3; no corrosion.
Base	Metal, rubber and other materials combined assembly, exposed metal is treat by black powder coating, withstand 500 hours exposure to neutral salt spray with no rust.
Ground Connection	Fixed by inverted cone chemical anchor bolt, with dacromet, withstand 1000 hours exposure to neutral salt spray with no rust; fastened by SS304 cap nut.

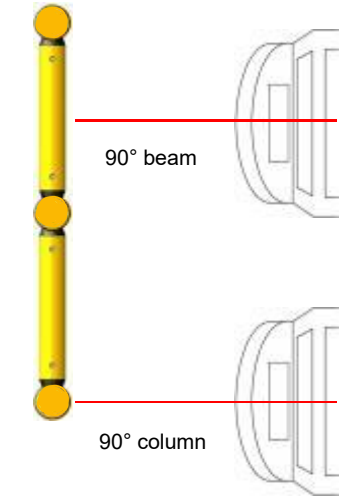
Traffic black RAL9017
 Signal yellow RAL1003



Absorbable impact energy: Forklift and barrier 90 degrees, impact of forklift tail on the middle of 1.8m beam

5 Tonne vehicle at **5.0** km/h

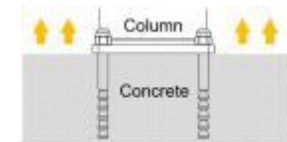
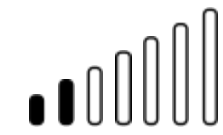
4823 Joules



Absorbable impact energy: Forklift and barrier 90 degrees, impact of the forklift's tail on the middle of the column

5 Tonne vehicle at **2.75** km/h

1459 Joules



Adopting German imported reinforcement glue and anchor bolt which can bear 33kN tensile load

Refer to PAS 13 TUV certified



HC Triple Building Barriers

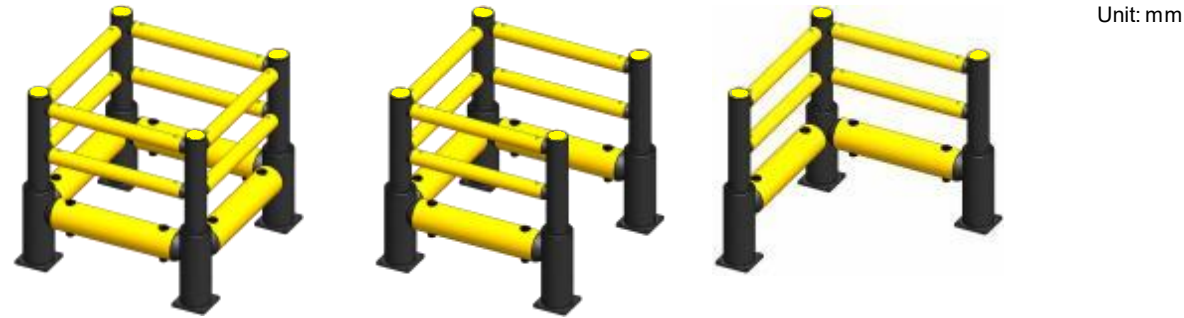


Home

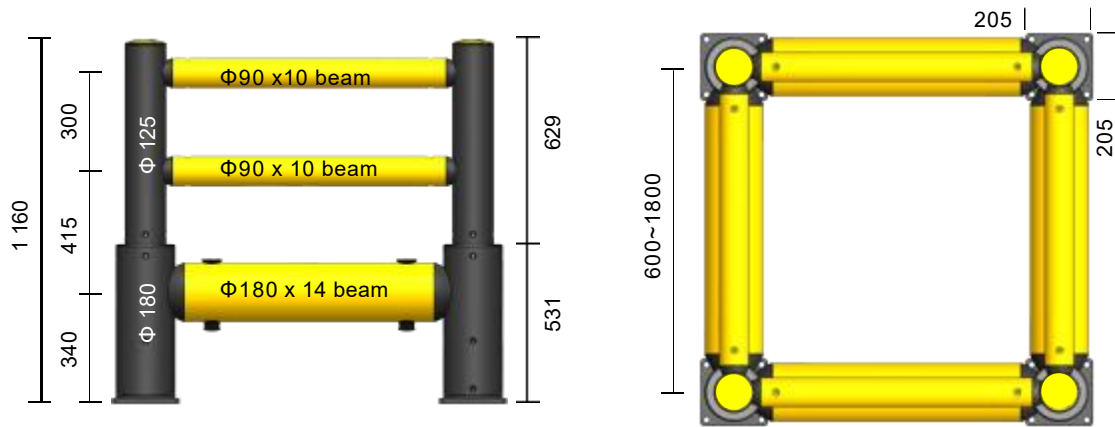
Sub

VICHnet

Scenes: Protect building columns, electrical cabinets, etc. prevent damage from heavy forklifts, protect people, machinery and equipment from impact damage.

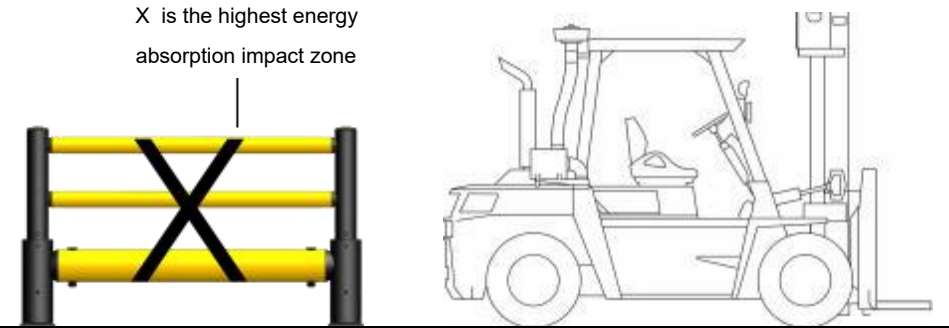


Unit: mm



Parts	Description
Pipe, Base, Ground Connection Parts	Same as HC Triple Barriers (details in HC Triple Barriers)

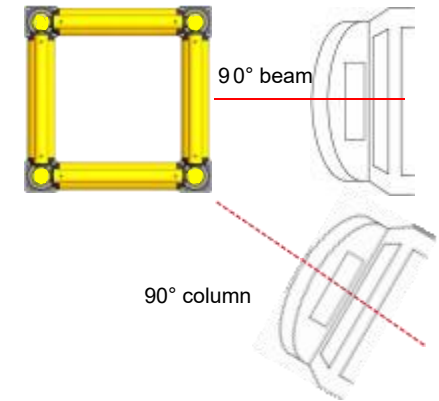
Traffic black RAL9017
 Signal yellow RAL1003



Absorbable impact energy: Forklift and beam 90 degrees, impact of forklift tail on the middle of 1.0m beam

5 Tonne vehicle at 5.0 km/h

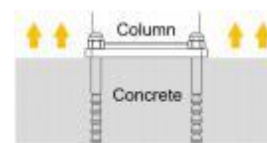
4823 Joules



Absorbable impact energy: Forklift and column 90 degrees, impact of forklift tail on the column

5 Tonne vehicle at 3.5 km/h

2363 Joules



Adopting German imported reinforcement glue and anchor bolt which can bear 33kN tensile load

Refer to PAS 13 TUV certified



HC Double Barriers

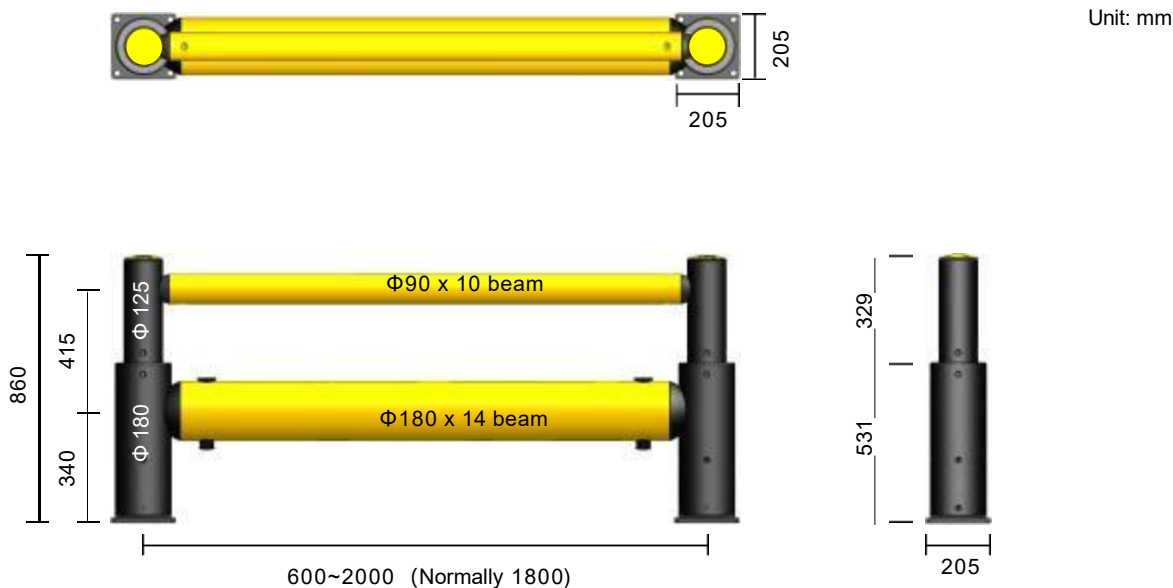


Home

Sub

VICHnet

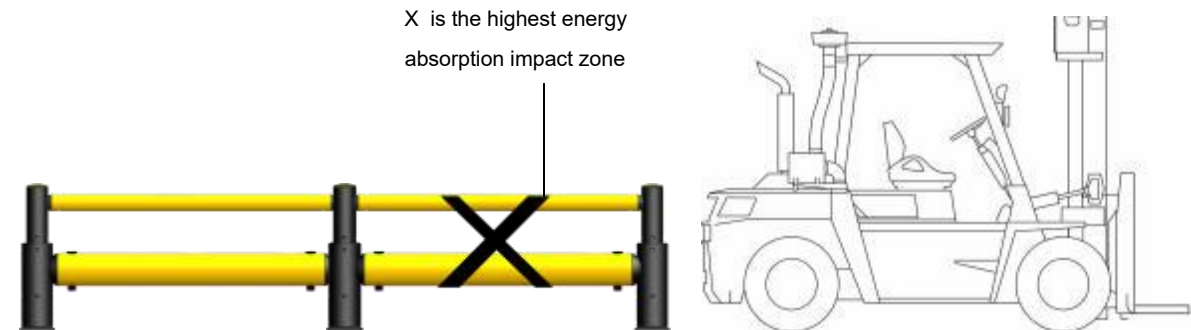
Scenes: Areas such as separation passages for pedestrians and vehicles, define and optimize the routing, protect people, machinery and equipment from impact damage.



Unit: mm

Parts	Description
Pipe	Developed by imported polymer plastic, which have strong weather and chemical resistance, not easy to age; natural color with low chemical activity; UV resistance meets ISO4892-3; no corrosion.
Base	Metal, rubber and other materials combined assembly, exposed metal is treat by black powder coating, withstand 500 hours exposure to neutral salt spray with no rust.
Ground Connection	Fixed by inverted cone chemical anchor bolt, with dacromet, withstand 1000 hours exposure to neutral salt spray with no rust; fastened by SS304 cap nut.

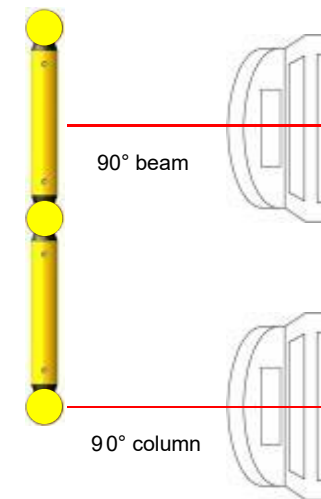
Traffic black RAL9017
 Signal yellow RAL1003



Absorbable impact energy: Forklift and barrier 90 degrees, impact of forklift tail on the middle of 1.8m beam

5 Tonne vehicle at **5.0** km/h

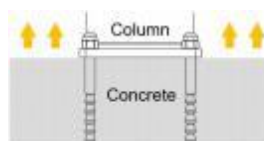
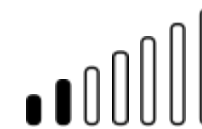
4823 Joules



Absorbable impact energy: Forklift and barrier 90 degrees, impact of the forklift's tail on the middle of the column

5 Tonne vehicle at **2.75** km/h

1459 Joules



Adopting German imported reinforcement glue and anchor bolt which can bear 33kN tensile load

Refer to PAS 13 TUV certified



HC Single Barriers



Home

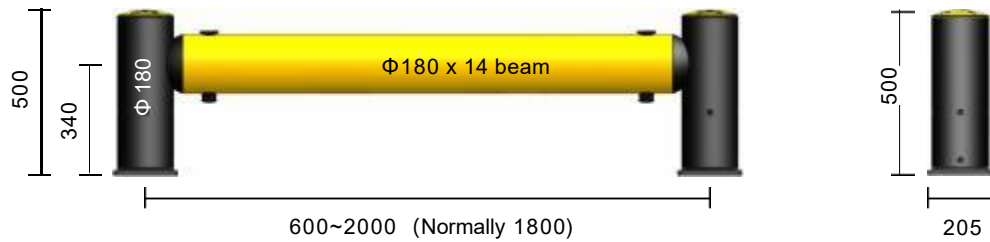
Sub

VICHnet

Scenes: Areas such as separation passages for pedestrians and vehicles, define and optimize the routing, protect people, machinery and equipment from impact damage.

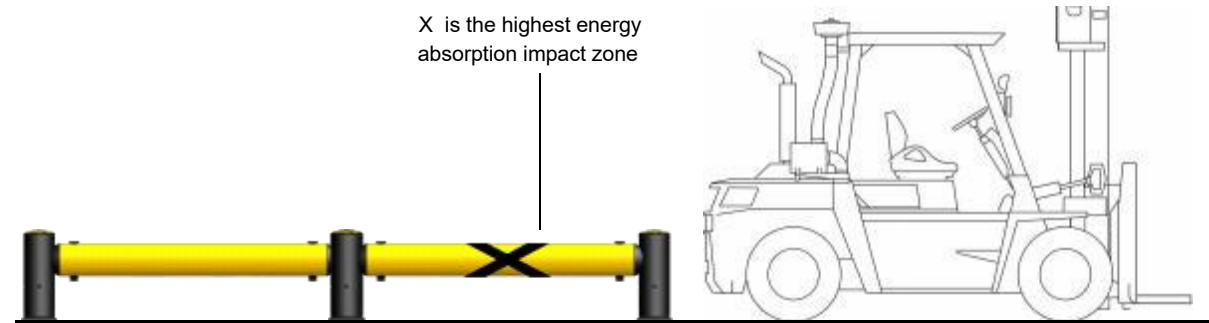


Unit: mm



Parts	Description
Pipe	Developed by imported polymer plastic, which have strong weather and chemical resistance, not easy to age; natural color with low chemical activity; UV resistance meets ISO4892-3; no corrosion.
Base	Metal, rubber and other materials combined assembly, exposed metal is treat by black powder coating, withstand 500 hours exposure to neutral salt spray with no rust.
Ground Connection	Fixed by inverted cone chemical anchor bolt, with dacromet, withstand 1000 hours exposure to neutral salt spray with no rust; fastened by SS304 cap nut.

Traffic black RAL9017
 Signal yellow RAL1003



Absorbable impact energy: Forklift and barrier 90 degrees, impact of forklift tail on the middle of 1.8m beam

5 Tonne vehicle at **5.0** km/h

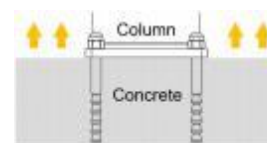
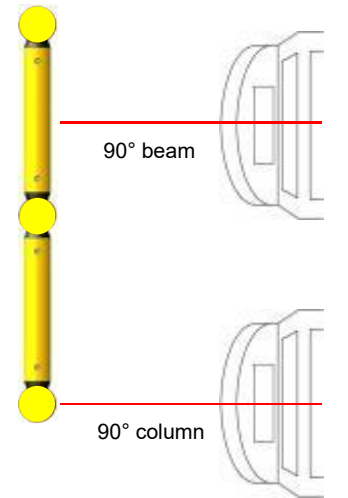
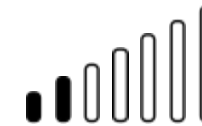
4823 Joules



Absorbable impact energy: Forklift and barrier 90 degrees, impact of the forklift's tail on the middle of the column

5 Tonne vehicle at **2.75** km/h

1459 Joules



Adopting German imported reinforcement glue and anchor bolt which can bear 33kN tensile load

Refer to PAS 13 TUV certified



HC Single Building Barriers



Home

Sub

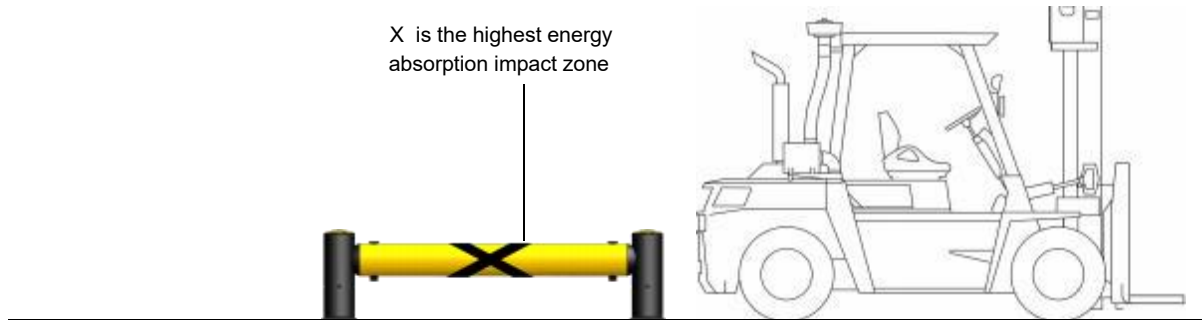
VICHnet

Scenes: Protect building columns, electrical cabinets, etc. prevent damage from heavy forklifts, protect people, machinery and equipment from impact damage.



Parts	Description
Pipe, Base, Ground Connection Parts	Same as HC Single Barriers (details in HC Single Barriers)

Traffic black RAL9017
 Signal yellow RAL1003



Absorbable impact energy: Forklift and barrier 90 degrees, impact of forklift tail on the middle of 1.0m beam

5 Tonne vehicle at 5.0 km/h

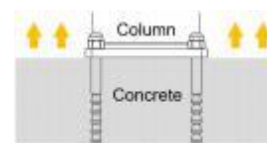
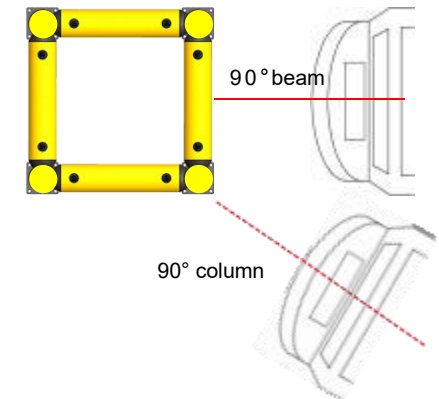
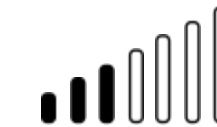
4823 Joules



Absorbable impact energy: Forklift and barrier 90 degrees, impact of forklift tail on the column

5 Tonne vehicle at 3.5 km/h

2363 Joules



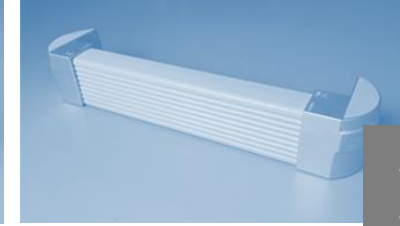
Adopting German imported reinforcement glue and anchor bolt which can bear 33kN tensile load

Refer to PAS 13 TUV certified





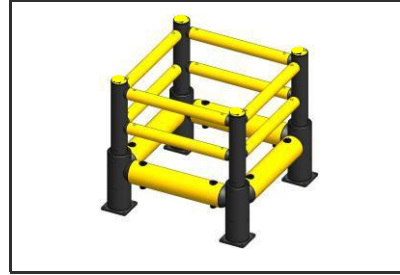
M Barriers



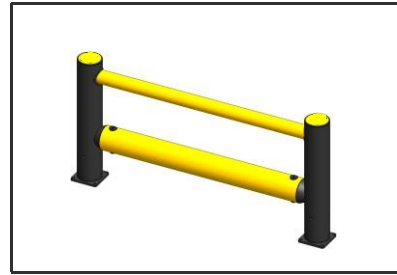
*Intelligent Safety
Protection Experts*



MC Triple Barriers
(Page 9)



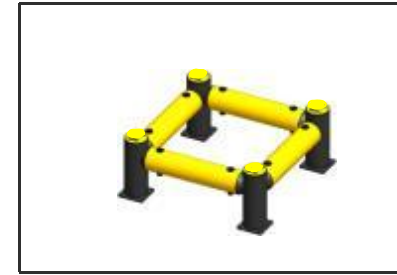
MC Triple Building Barriers
(Page 10)



MC Double Barriers
(Page 11)



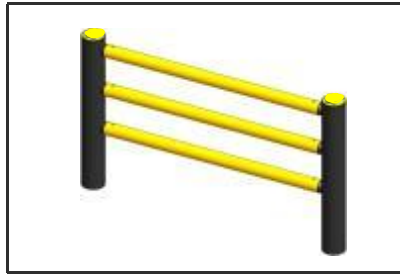
MC Single Barriers
(Page 12)



MC Single Building Barriers
(Page 13)



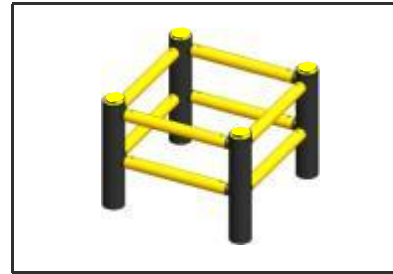
MM Single Barriers
(Page 14)



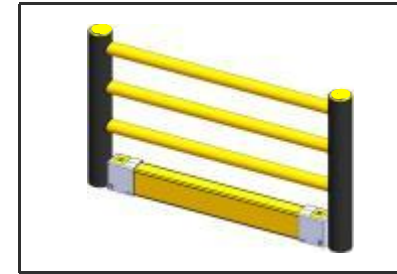
MD Triple Barriers
(Page 15)



MD Double Barriers
(Page 16)



MD Double Building Barriers
(Page 17)



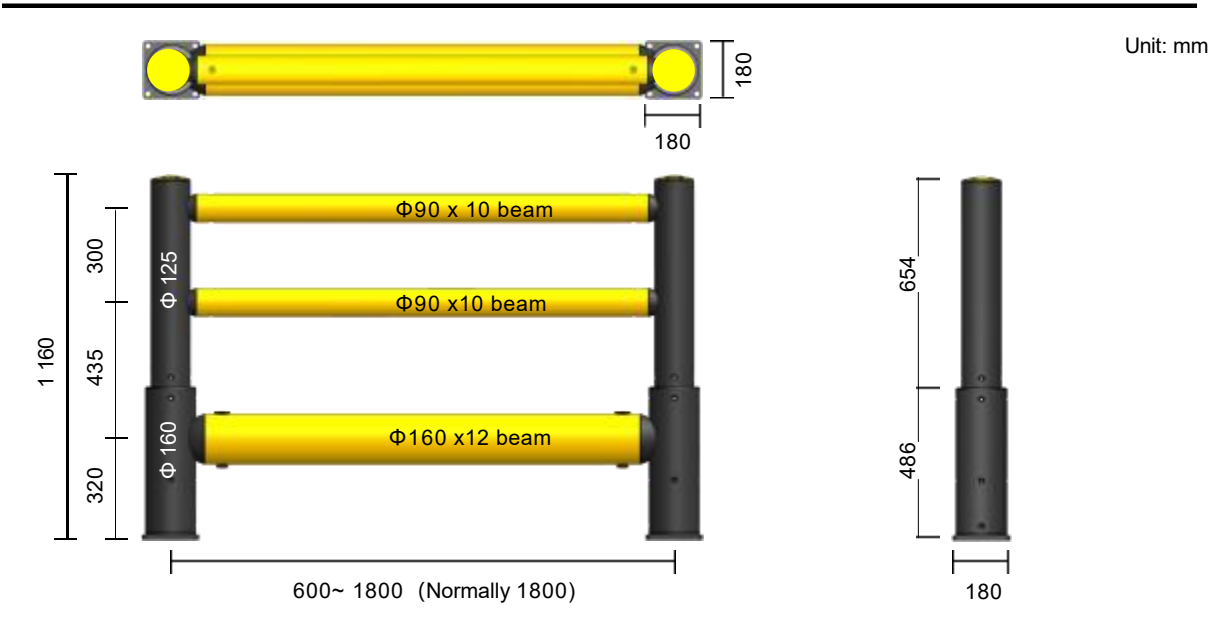
ME Triple Barriers + Ground
Barrier *(Page 18)*



MC Triple Barriers

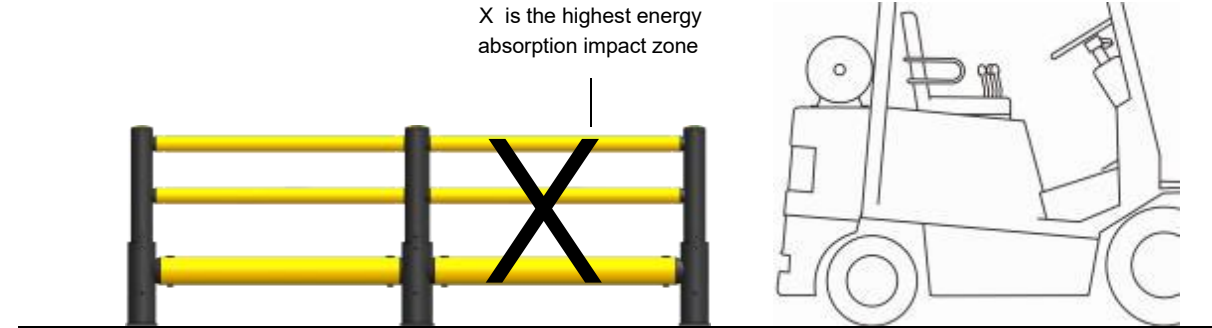


Scenes: Areas such as separation passages for pedestrians and vehicles, define and optimize the routing, protect people, machinery and equipment from impact damage.



Parts	Description
Pipe	Developed by imported polymer plastic, which have strong weather and chemical resistance, not easy to age; natural color with low chemical activity; UV resistance meets ISO4892-3; no corrosion.
Base	Metal, rubber and other materials combined assembly, exposed metal is treat by black powder coating, withstand 500 hours exposure to neutral salt spray with no rust .
Ground Connection	Fixed by inverted cone chemical anchor bolt, with dacromet, withstand 1000 hours exposure to neutral salt spray with no rust; fastened by SS304 cap nut.

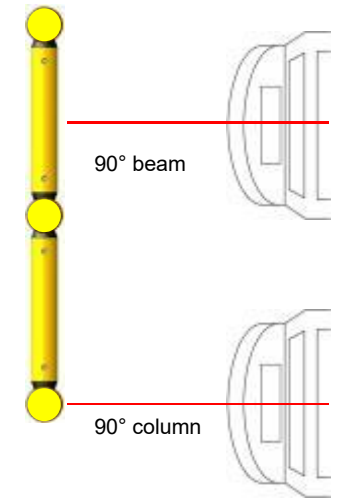
Traffic black RAL9017
 Signal yellow RAL1003



Absorbable impact energy: Forklift and barrier 90 degrees, impact of forklift tail on the middle of 1.8m beam

3 Tonne vehicle at **6.0** km/h

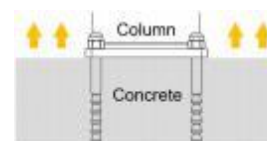
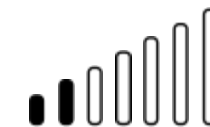
4167 Joules



Absorbable impact energy: Forklift and barrier 90 degrees, impact of the forklift's tail on the middle of the column

3 Tonne vehicle at **3.5** km/h

1418 Joules



Adopting German imported reinforcement glue and anchor bolt which can bear 33kN tensile load

Refer to PAS 13 TUV certified



MC Triple Building Barriers

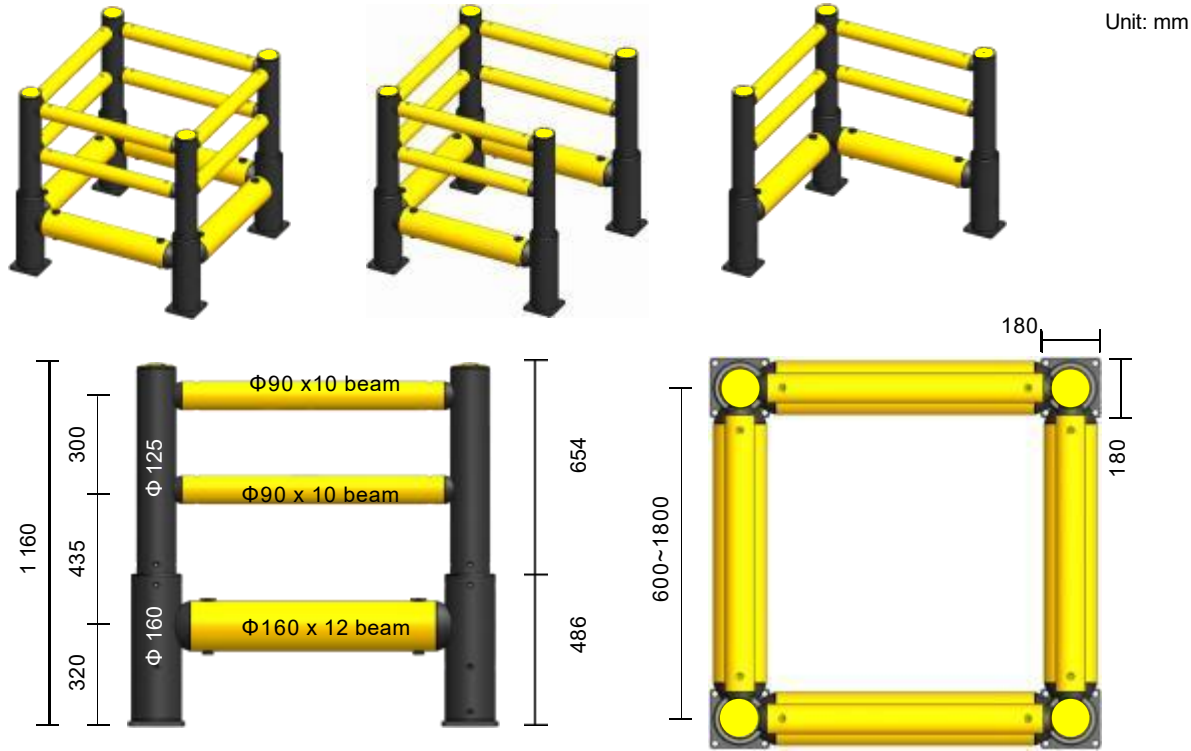


Home

Sub

VICHnet

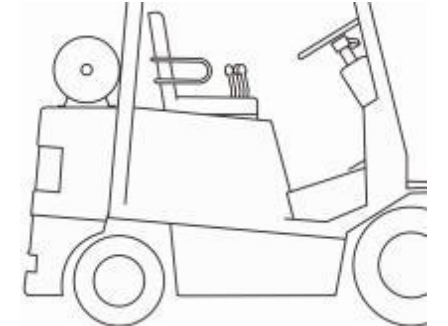
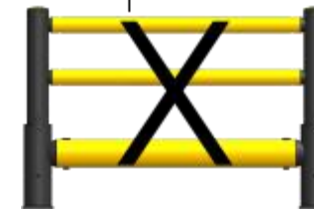
Scenes: Protect building columns, electrical cabinets, etc. prevent damage from heavy forklifts, protect people, machinery and equipment from impact damage.



Parts	Description
Pipe, Base, Ground Connection Parts	Same as MC Triple Barriers (details in MC Triple Barriers)

Traffic black RAL9017
 Signal yellow RAL1003

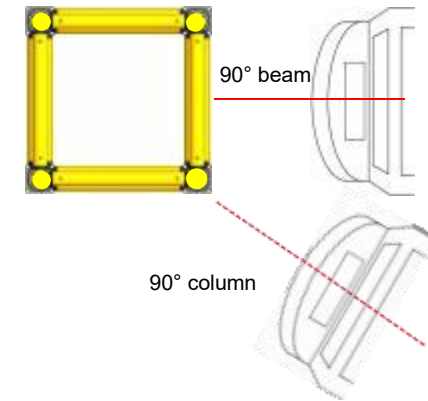
X is the highest energy absorption impact zone



Absorbable impact energy: Forklift and building barrier 90 degrees, impact of forklift tail on the middle of 1.0m beam

3 Tonne vehicle at 6.0 km/h

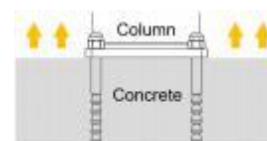
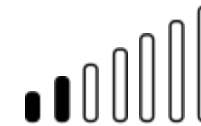
4167 Joules



Absorbable impact energy: Forklift and building barrier 90 degrees, impact of forklift tail on the column

3 Tonne vehicle at 4.0 km/h

1852 Joules



Adopting German imported reinforcement glue and anchor bolt which can bear 33kN tensile load

Refer to PAS 13 TUV certified



MC Double Barriers

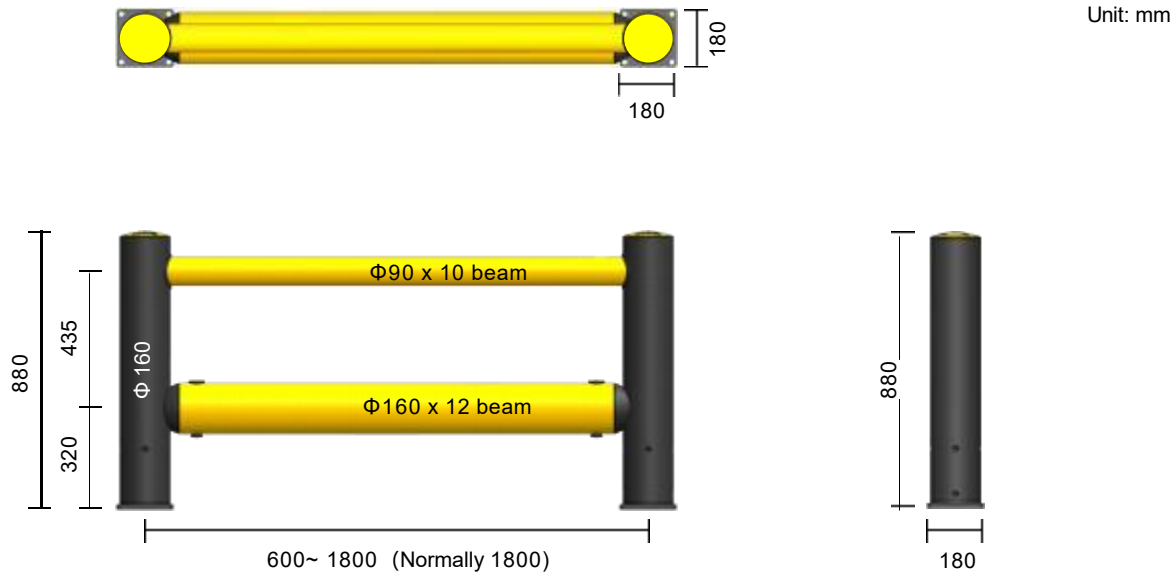


Home

Sub

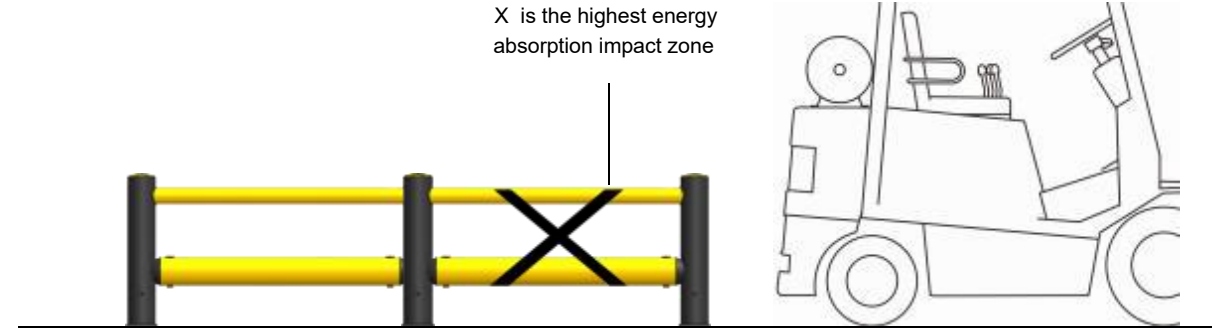
VICHnet

Scenes: Areas such as separation passages for pedestrians and vehicles, define and optimize the routing, protect people, machinery and equipment from impact damage.



Parts	Description
Pipe	Developed by imported polymer plastic, which have strong weather and chemical resistance, not easy to age; natural color with low chemical activity, UV resistance meets ISO4892-3; no corrosion.
Base	Metal, rubber and other materials combined assembly, exposed metal is treat by black powder coating, withstand 500 hours exposure to neutral salt spray with no rust .
Ground Connection	Fixed by inverted cone chemical anchor bolt, with dacromet, withstand 1000 hours exposure to neutral salt spray with no rust; fastened by SS304 cap nut.

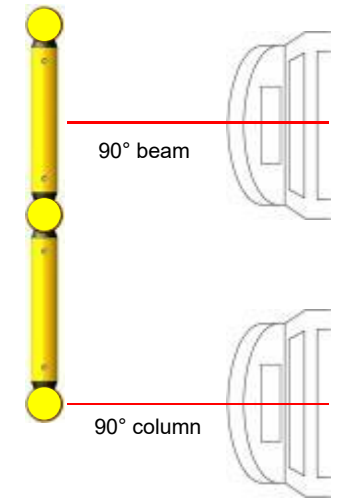
Traffic black RAL9017
 Signal yellow RAL1003



Absorbable impact energy: Forklift and barrier 90 degrees, impact of forklift tail on the middle of 1.8m beam

3 Tonne vehicle at 6.0 km/h

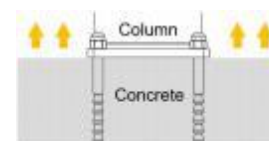
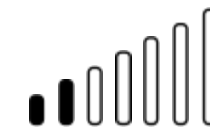
4167 Joules



Absorbable impact energy: Forklift and barrier 90 degrees, impact of the forklift's tail on the middle of the column

3 Tonne vehicle at 3.5 km/h

1418 Joules



Adopting German imported reinforcement glue and anchor bolt which can bear 33kN tensile load

Refer to PAS 13 TUV certified



MC Single Barriers



Home

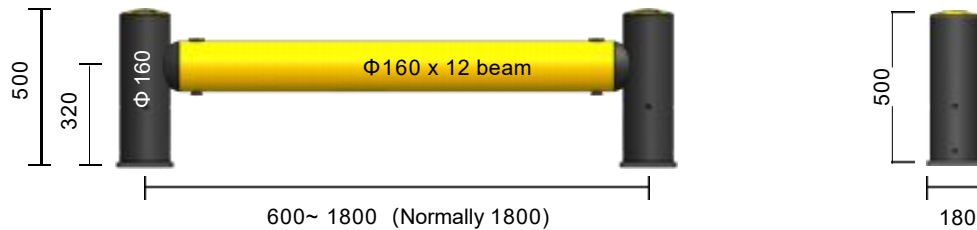
Sub

VICHnet

Scenes: Areas such as separation passages for pedestrians and vehicles, define and optimize the routing, protect people, machinery and equipment from impact damage.

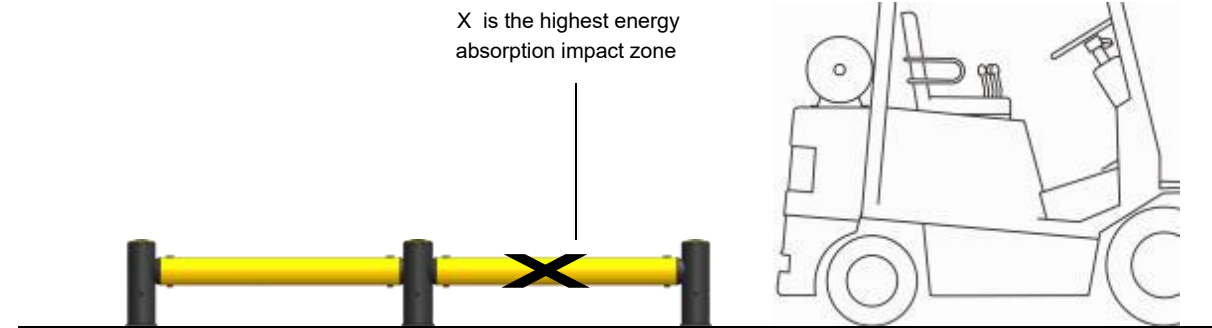


Unit: mm



Parts	Description
Pipe	Developed by imported polymer plastic, which have strong weather and chemical resistance, not easy to age; natural color with low chemical activity, UV resistance meets ISO4892-3; no corrosion.
Base	Metal, rubber and other materials combined assembly, exposed metal is treat by black powder coating, withstand 500 hours exposure to neutral salt spray with no rust.
Ground Connection	Fixed by inverted cone chemical anchor bolt, with dacromet, withstand 1000 hours exposure to neutral salt spray with no rust; fastened by SS304 cap nut.

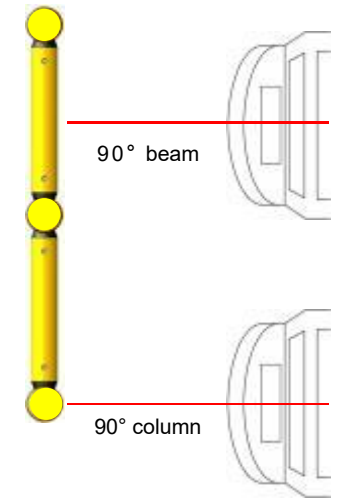
Traffic black RAL9017
 Signal yellow RAL1003



Absorbable impact energy: Forklift and barrier 90 degrees, impact of forklift tail on the middle of 1.8m beam

3 Tonne vehicle at 6.0 km/h

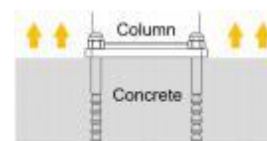
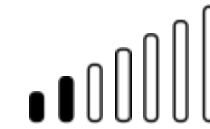
4167 Joules



Absorbable impact energy: Forklift and barrier 90 degrees, impact of the forklift's tail on the middle of the column

3 Tonne vehicle at 3.5 km/h

1418 Joules



Adopting German imported reinforcement glue and anchor bolt which can bear 33kN tensile load

Refer to PAS 13 TUV certified



MC Single Building Barriers

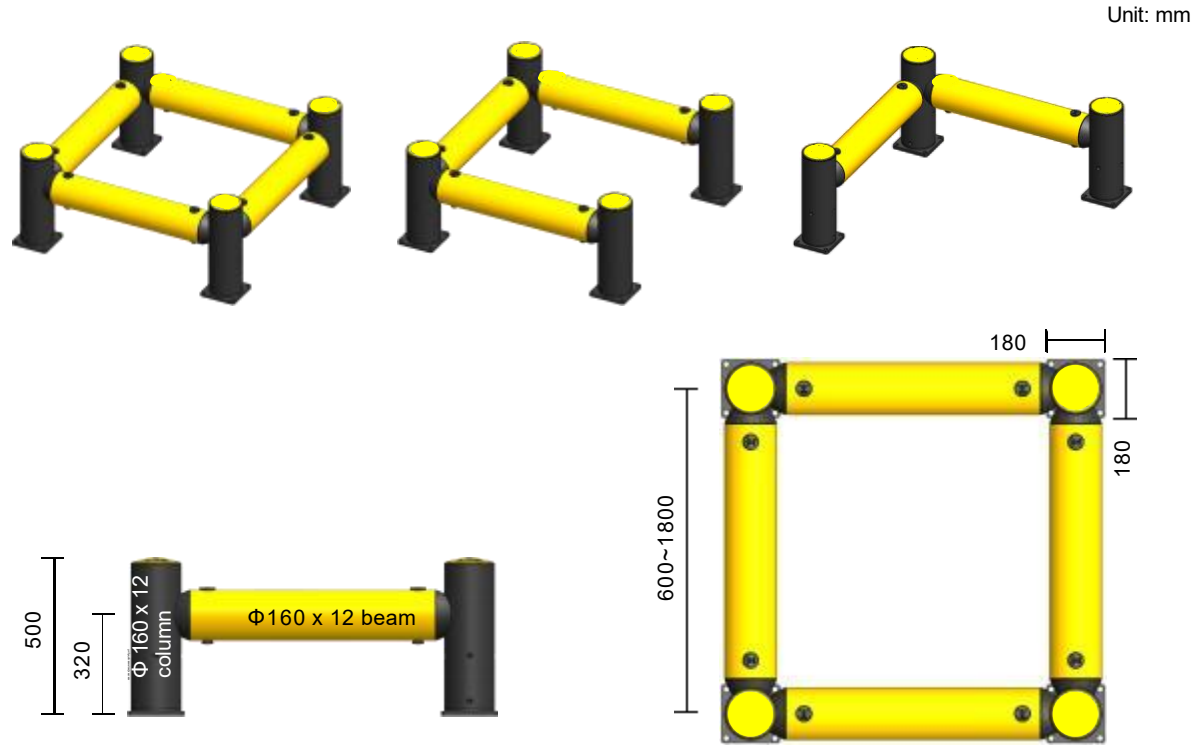


Home

Sub

VICHnet

Scenes: Protect building columns, electrical cabinets, etc. prevent damage from heavy forklifts, protect people, machinery and equipment from impact damage.

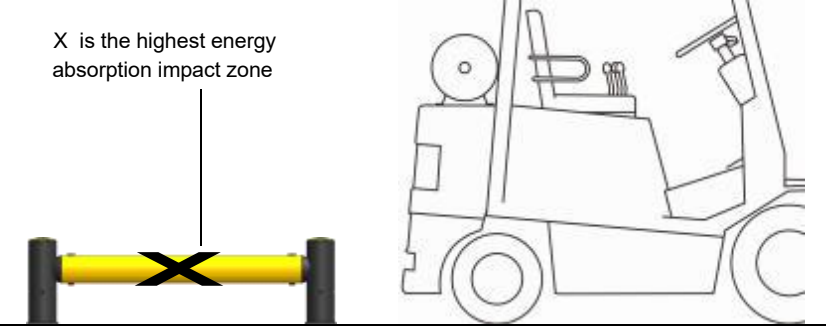


Unit: mm

Parts	Description
Pipe, Base, Ground Connection Parts	Same as MC Single Barriers (details in MC Single Barriers)

Traffic black RAL9017
 Signal yellow RAL1003

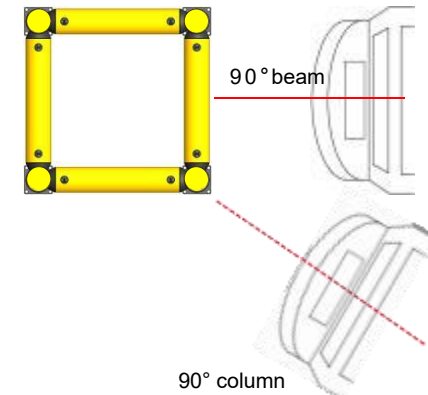
X is the highest energy absorption impact zone



Absorbable impact energy: Forklift and building bollards 90 degrees, impact of forklift tail on the middle of 1.0m beam

3 Tonne vehicle at 6.0 km/h

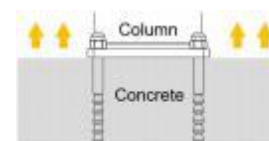
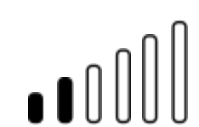
4167 Joules



Absorbable impact energy: Forklift and building bollards 90 degrees, impact of forklift tail on the column

3 Tonne vehicle at 4.0 km/h

1852 Joules

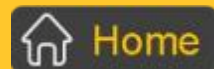


Adopting German imported reinforcement glue and anchor bolt which can bear 33kN tensile load

Refer to PAS 13 TUV certified



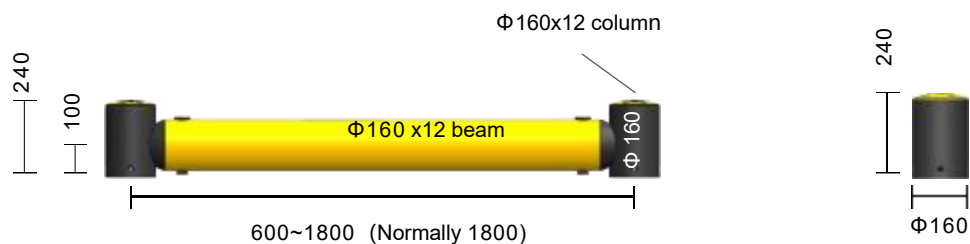
MM Single Barriers



Scenes: It is suitable for protection in ultra-low area to prevent injury caused by fork foot.



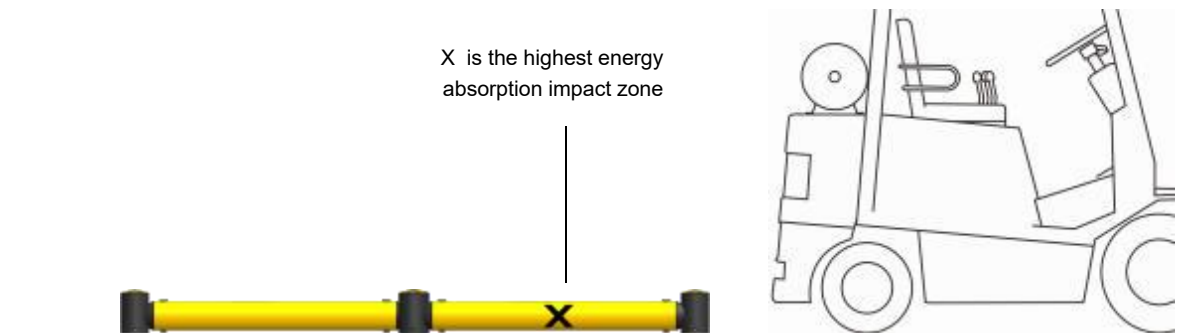
Unit: mm



Parts	Description
Pipe	Developed by imported polymer plastic, which have strong weather and chemical resistance, not easy to age; natural color with low chemical activity, UV resistance meets ISO4892-3; no corrosion.
Base	Metal, rubber and other materials combined assembly, metal is treat by electrophoresis, withstand 72 hours exposure to neutral salt spray with no rust.
Ground Connection	Fixed by inverted cone chemical anchor bolt, with dacromet, withstand 1000 hours exposure to neutral salt spray with no rust.

Traffic black RAL9017
 Signal yellow RAL1003

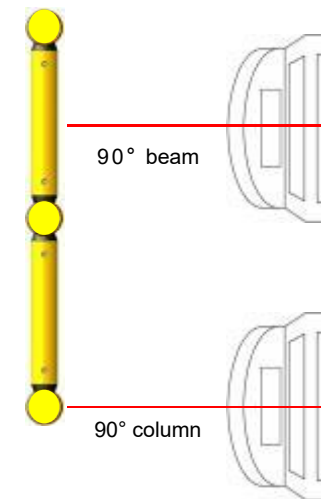
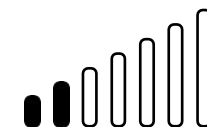
X is the highest energy absorption impact zone



Absorbable impact energy: Forklift and barrier 90 degrees, impact of forklift tail on the middle of 1.8m beam

3 Tonne vehicle at **4.0** km/h

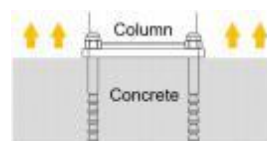
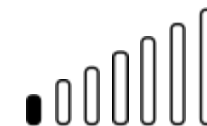
1852 Joules



Absorbable impact energy: Forklift and barrier 90 degrees, impact of the forklift's tail on the middle of the column

3 Tonne vehicle at **2.5** km/h

723 Joules

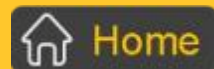


Adopting German imported reinforcement glue and anchor bolt which can bear 33kN tensile load

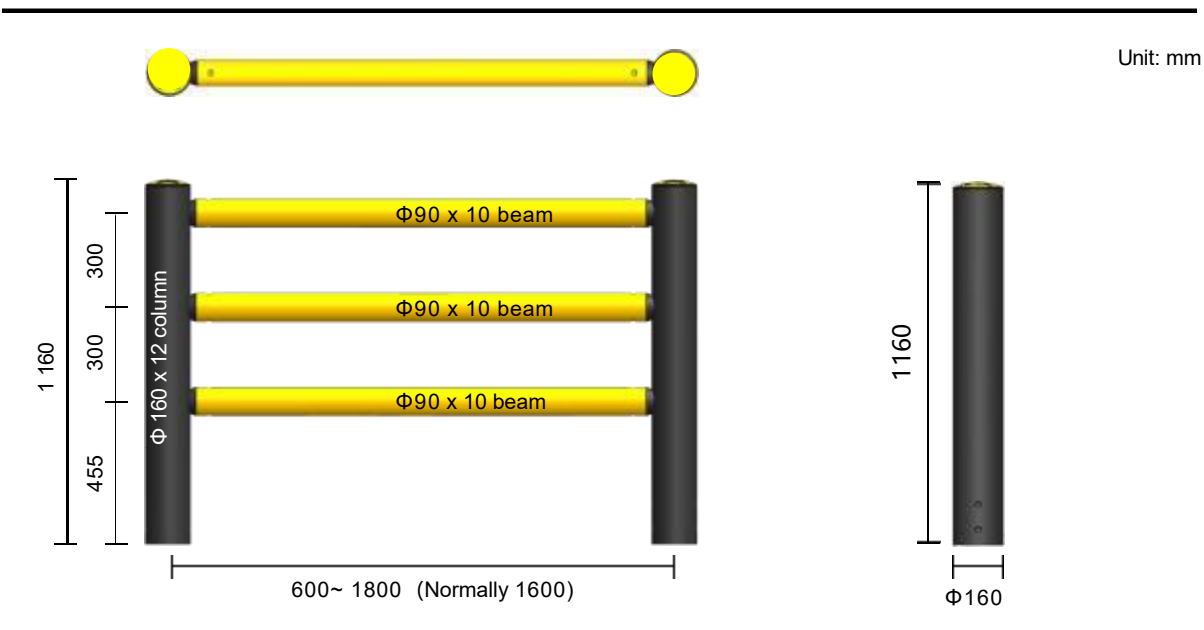
Refer to PAS 13 TUV certified



MD Triple Barriers

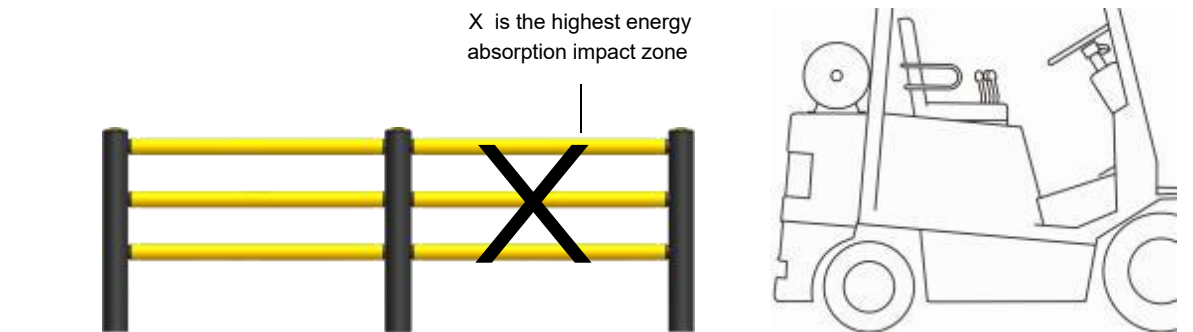


Scenes: Areas such as separation passages for pedestrians and vehicles, define and optimize the routing, protect people, machinery and equipment from impact damage.



Parts	Description
Pipe	Developed by imported polymer plastic, which have strong weather and chemical resistance, not easy to age; natural color with low chemical activity, UV resistance meets ISO4892-3; no corrosion.
Base	Metal, rubber and other materials combined assembly, metal is treat by electrophoresis, withstand 72 hours exposure to neutral salt spray with no rust.
Ground Connection	Fixed by inverted cone chemical anchor bolt, with dacromet, withstand 1000 hours exposure to neutral salt spray with no rust.

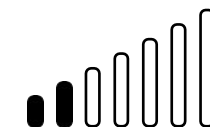
Traffic black RAL9017
 Signal yellow RAL1003



Absorbable impact energy: Forklift and barrier 90 degrees, impact of forklift tail on the middle of 1.6m beam

3 Tonne vehicle at **3.5** km/h

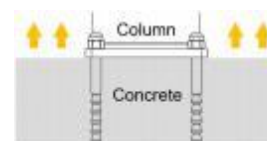
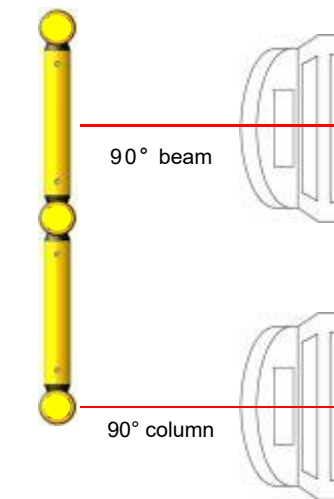
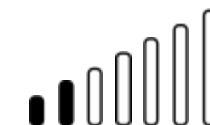
1418 Joules



Absorbable impact energy: Forklift and barrier 90 degrees, impact of the forklift's tail on the middle of the column

3 Tonne vehicle at **2.95** km/h

1007 Joules

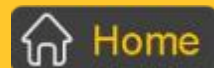


Adopting German imported reinforcement glue and anchor bolt which can bear 33kN tensile load

Refer to PAS 13 TUV certified



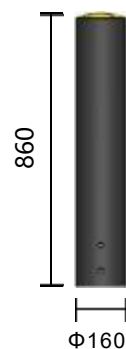
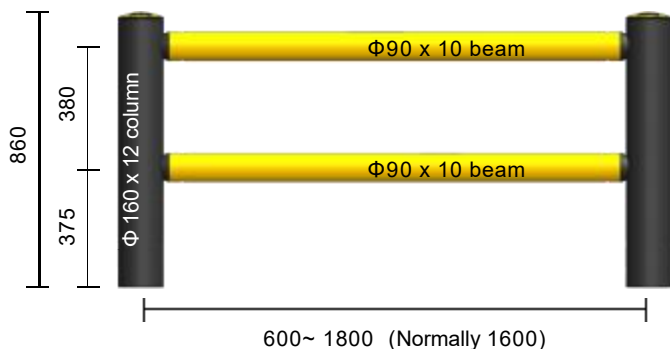
MD Double Barriers



Scenes: Areas such as separation passages for pedestrians and vehicles, define and optimize the routing, protect people, machinery and equipment from impact damage.

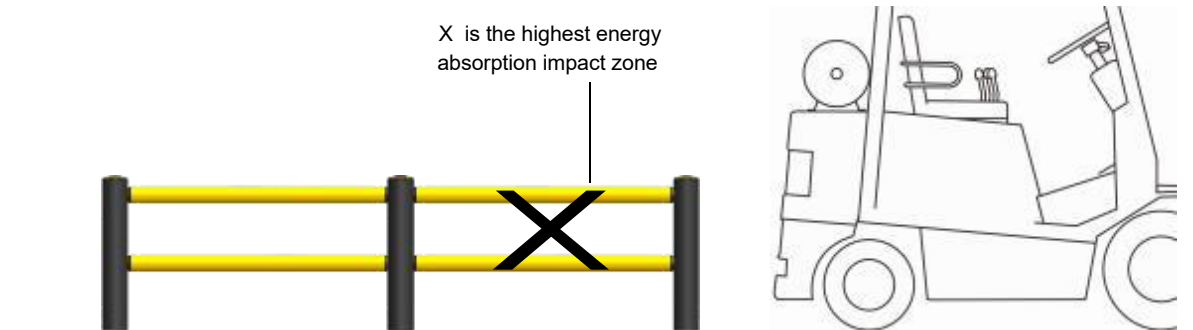


Unit: mm



Parts	Description
Pipe	Developed by imported polymer plastic, which have strong weather and chemical resistance, not easy to age; natural color with low chemical activity, UV resistance meets ISO4892-3; no corrosion.
Base	Metal, rubber and other materials combined assembly, metal is treat by electrophoresis, withstand 72 hours exposure to neutral salt spray with no rust.
Ground Connection	Fixed by inverted cone chemical anchor bolt, with dacromet, withstand 1000 hours exposure to neutral salt spray with no rust.

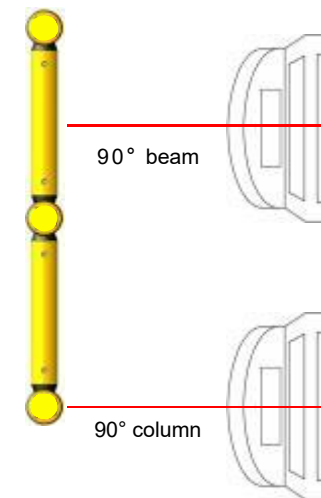
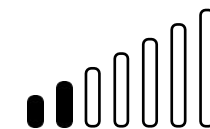
Traffic black RAL9017
 Signal yellow RAL1003



Absorbable impact energy: Forklift and barrier 90 degrees, impact of forklift tail on the middle of 1.6m beam

3 Tonne vehicle at **3.5** km/h

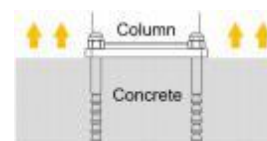
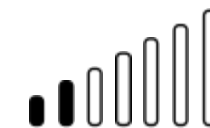
1418 Joules



Absorbable impact energy: Forklift and barrier 90 degrees, impact of the forklift's tail on the middle of the column

3 Tonne vehicle at **2.95** km/h

1007 Joules



Adopting German imported reinforcement glue and anchor bolt which can bear 33kN tensile load

Refer to PAS 13 TUV certified



MD Double Building Barriers

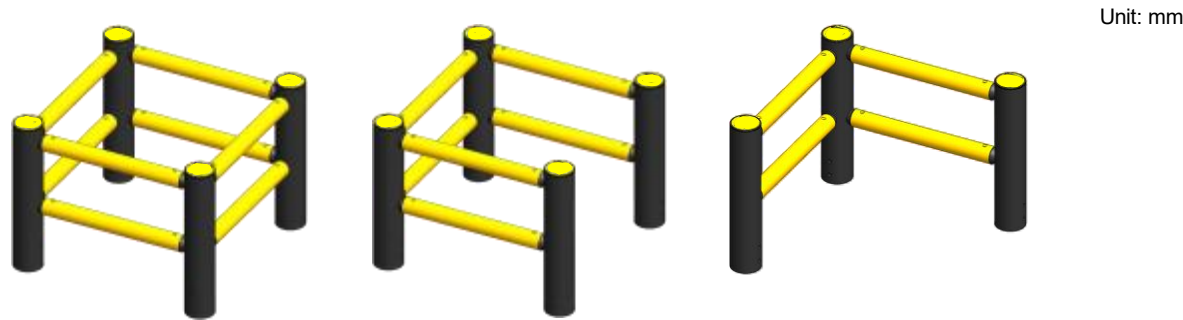


Home

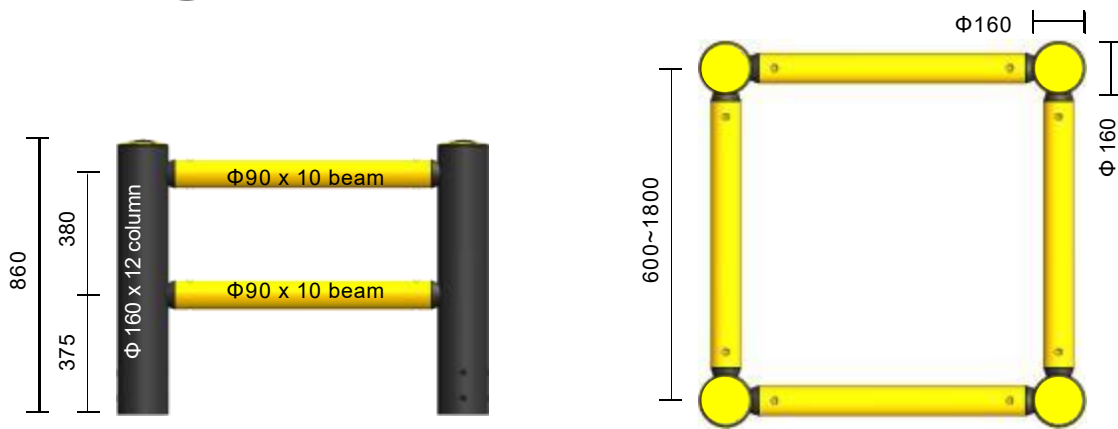
Sub

VICHnet

Scenes: Protect building columns, electrical cabinets, etc. prevent damage from light forklifts, protect people, machinery and equipment from impact damage.



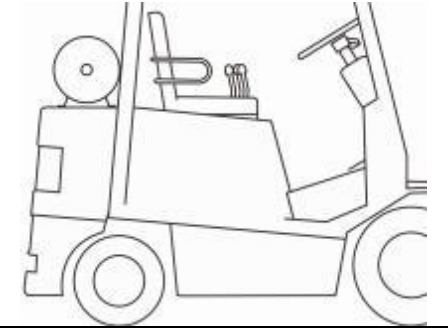
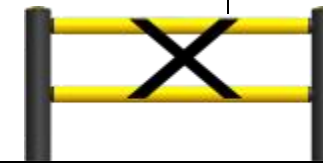
Unit: mm



Parts	Description
Pipe, Base, Ground Connection Parts	Same as MD Double Barriers (details in MD Double Barriers)

Traffic black RAL9017
 Signal yellow RAL1003

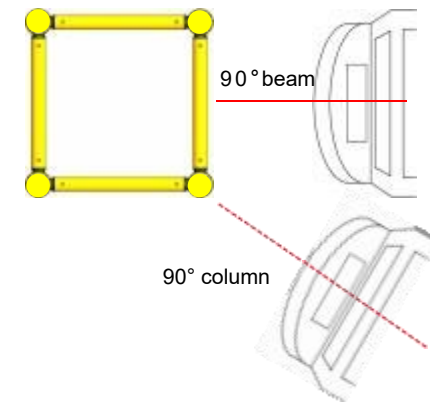
X is the highest energy absorption impact zone



Absorbable impact energy: Forklift and beam 90 degrees, impact of forklift tail on the middle of 0.8m beam

3 Tonne vehicle at 3.5 km/h

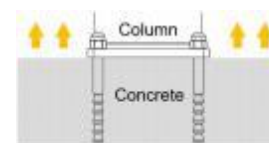
1418 Joules



Absorbable impact energy: Forklift and column 90 degrees, impact of forklift tail on the column

3 Tonne vehicle at 2.8 km/h

907 Joules



Adopting German imported reinforcement glue and anchor bolt which can bear 33kN tensile load

Refer to PAS 13 TUV certified



ME + Triple Barriers

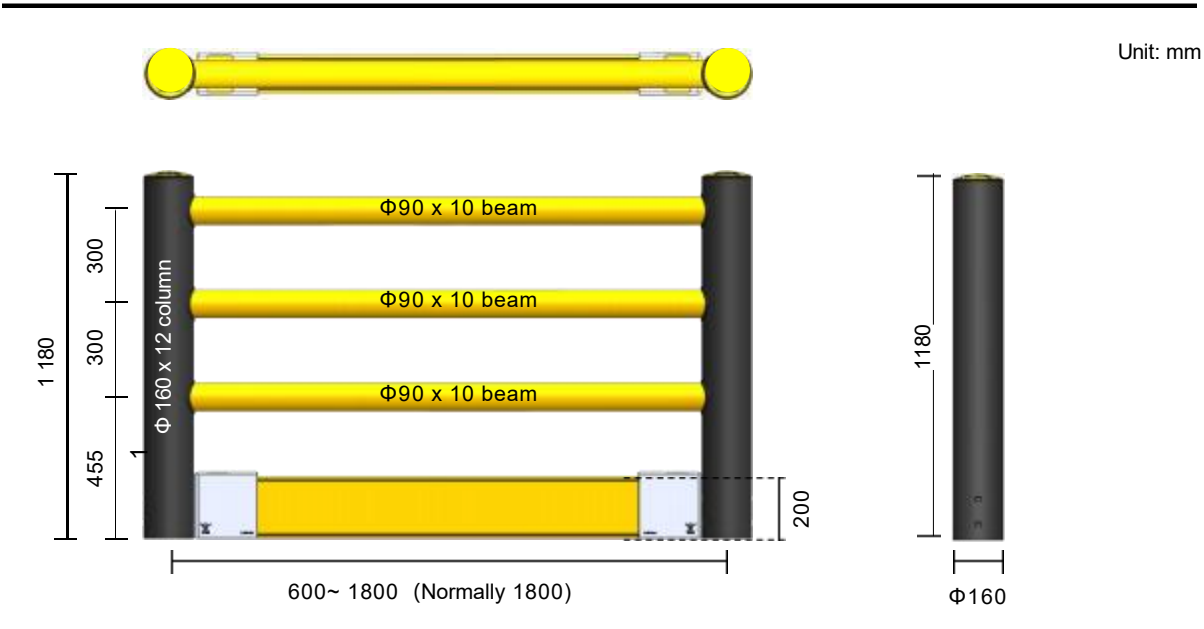


Home

Sub

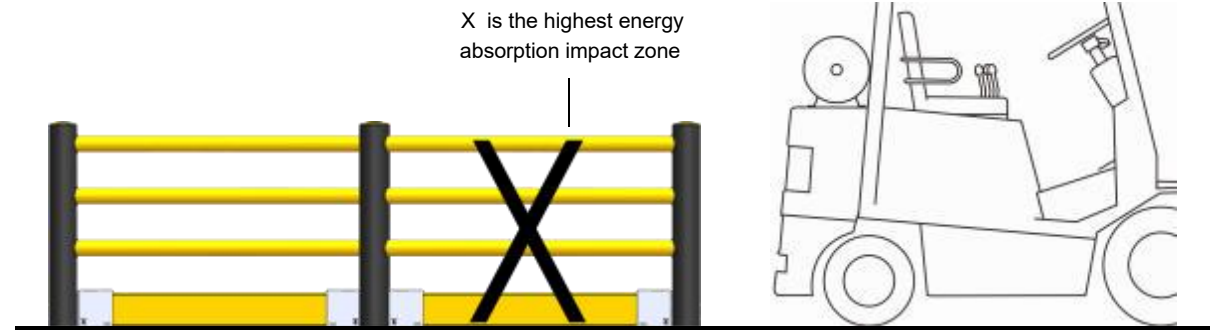
VICHnet

Scenes: Areas such as separation passages for pedestrians and vehicles, define and optimize the routing, protect people, machinery and equipment from impact damage.



Parts	Description
Pipe	Developed by imported polymer plastic, which have strong weather and chemical resistance, not easy to age; natural color with low chemical activity, UV resistance meets ISO4892-3; no corrosion.
Base	Metal, rubber and other materials combined assembly, metal is treat by electrophoresis, withstand 72 hours exposure to neutral salt spray with no rust.
Ground Connection	Fixed by inverted cone chemical anchor bolt, with dacromet, withstand 1000 hours exposure to neutral salt spray with no rust.

Traffic black RAL9017
 Signal yellow RAL1003



Absorbable impact energy: Forklift and barrier 90 degrees, impact of forklift tail on the middle of 1.8m beam

3 Tonne vehicle at 5.5 km/h

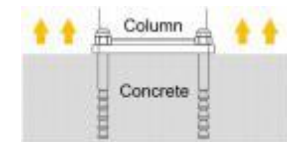
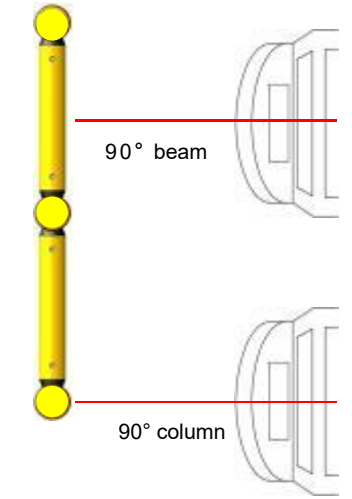
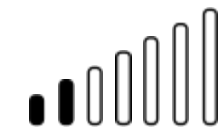
3502 Joules



Absorbable impact energy: Forklift and barrier 90 degrees, impact of the forklift's tail on the middle of the column

3 Tonne vehicle at 3.0 km/h

1042 Joules



Adopting German imported reinforcement glue and anchor bolt which can bear 33kN tensile load

Refer to PAS 13 TUV certified

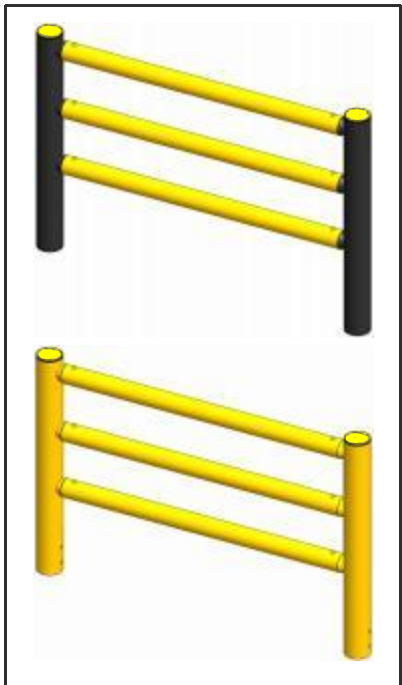




3. L Barriers



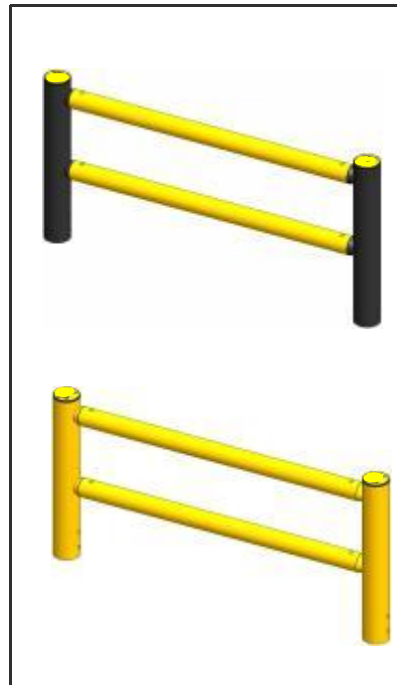
*Intelligent Safety
Protection Experts*



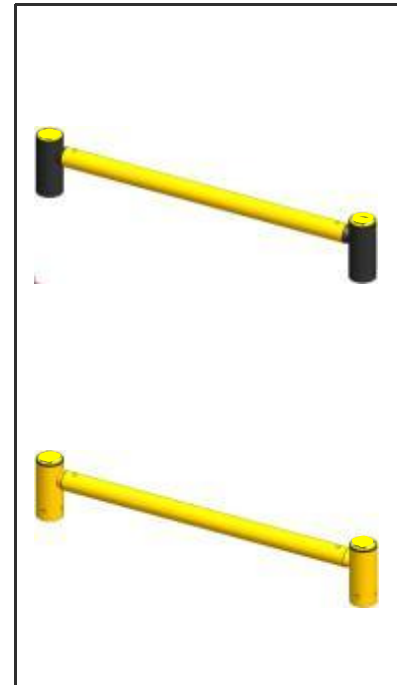
LA Triple Barriers
(Page 20)



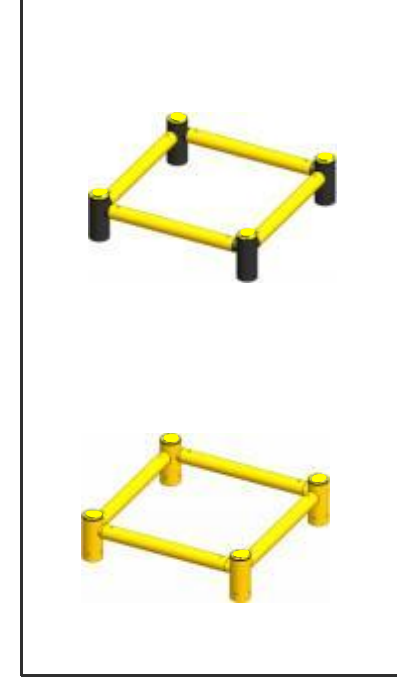
LA Triple Building Barriers
(Page 21)



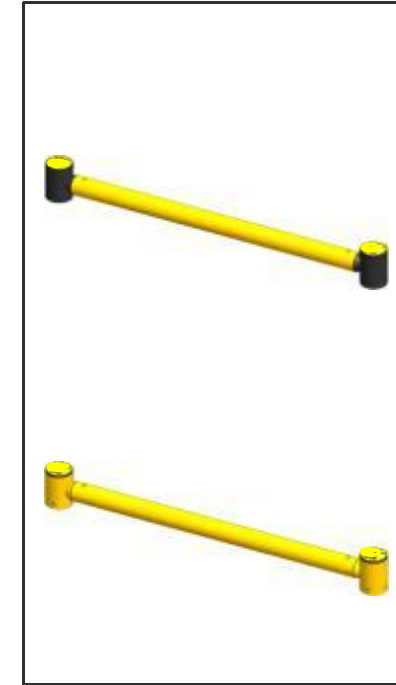
LA Double Barriers
(Page 22)



LA Single Barriers
(Page 23)



LA Single Building Barriers
(Page 24)



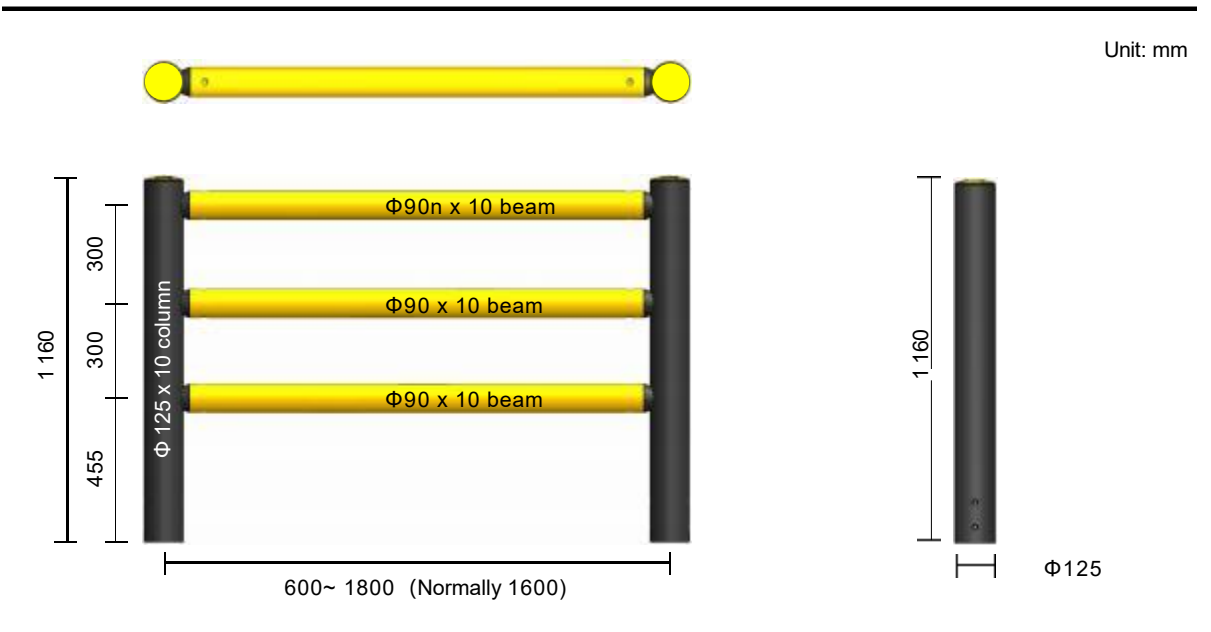
LS Single Barriers
(Page 25)



LA Triple Barriers

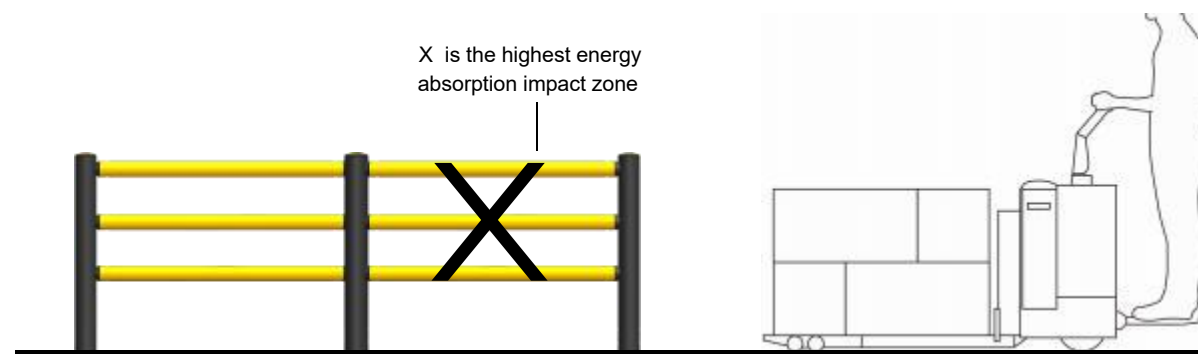


Scenes: Areas such as separation passages for pedestrians and vehicles, define and optimize the routing, protect people, machinery and equipment from impact damage.



Parts	Description
Pipe	Developed by imported polymer plastic, which have strong weather and chemical resistance, not easy to age; natural color with low chemical activity, UV resistance meets ISO4892-3; no corrosion.
Base	Metal, rubber and other materials combined assembly, metal is treat by electrophoresis, withstand 72 hours exposure to neutral salt spray with no rust.
Ground Connection	Fixed by inverted cone chemical anchor bolt, with dacromet, withstand 1000 hours exposure to neutral salt spray with no rust.

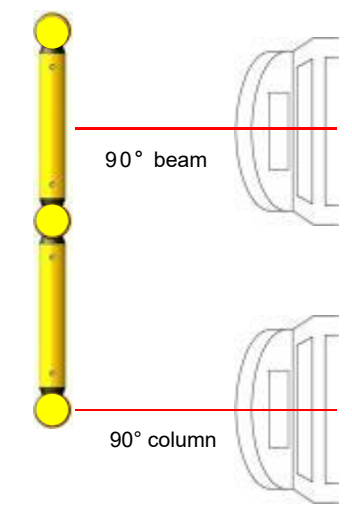
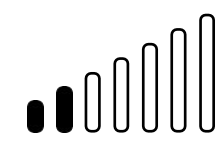
Traffic black RAL9017
 Signal yellow RAL1003



Absorbable impact energy: Forklift and barrier 90 degrees, impact of forklift tail on the middle of 1.6m beam

1.5 Tonne vehicle at **5.0** km/h

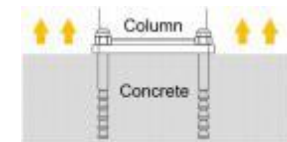
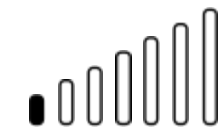
1447 Joules



Absorbable impact energy: Forklift and barrier 90 degrees, impact of the forklift's tail on the middle of the column

1.5 Tonne vehicle at **4.0** km/h

926 Joules



Adopting German imported reinforcement glue and anchor bolt which can bear 33kN tensile load

Refer to PAS 13 TUV certified



LA Triple Building Barriers

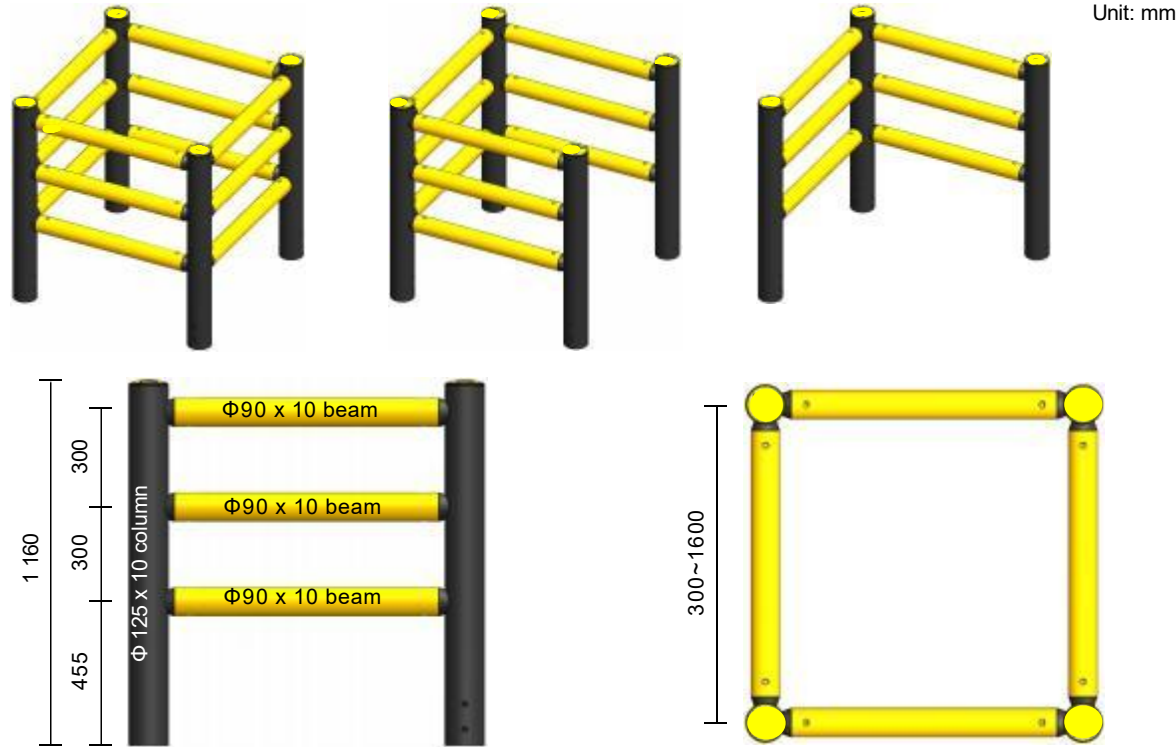


Home

Sub

VICHnet

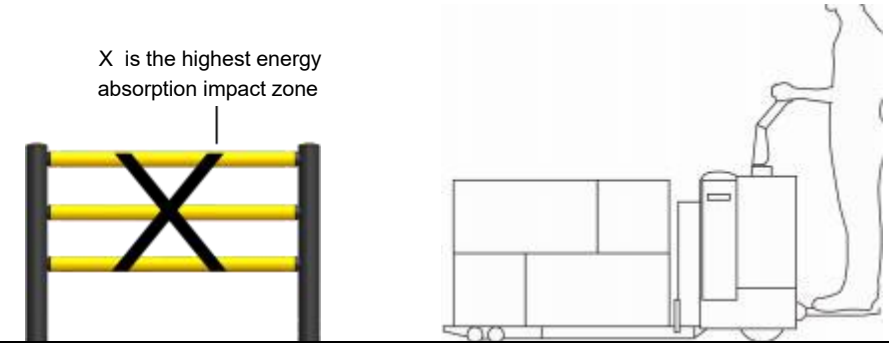
Scenes: Protect building columns, electrical cabinets, etc. prevent damage from light forklifts.



Unit: mm

Parts	Description
Pipe, Base, Ground Connection Parts	Same as LA Triple Barriers (details in LA Triple Barriers)

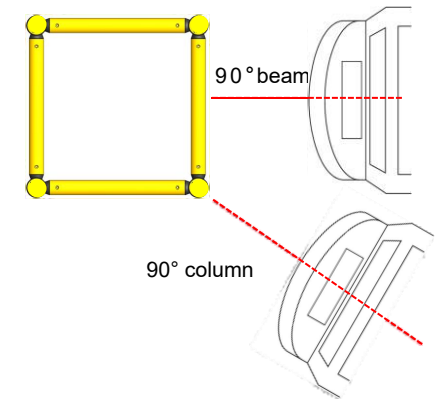
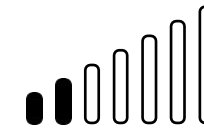
Traffic black RAL9017
 Signal yellow RAL1003



Absorbable impact energy: Forklift and beam 90 degrees, impact of forklift tail on the middle of 0.8m beam

1.5 Tonne vehicle at 5.0 km/h

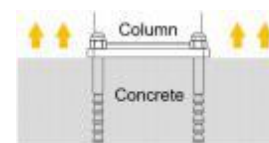
1447 Joules



Absorbable impact energy: Forklift and column 90 degrees, impact of forklift tail on the column

1.5 Tonne vehicle at 4.0 km/h

926 Joules

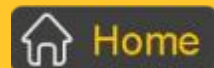


Adopting German imported reinforcement glue and anchor bolt which can bear 33kN tensile load

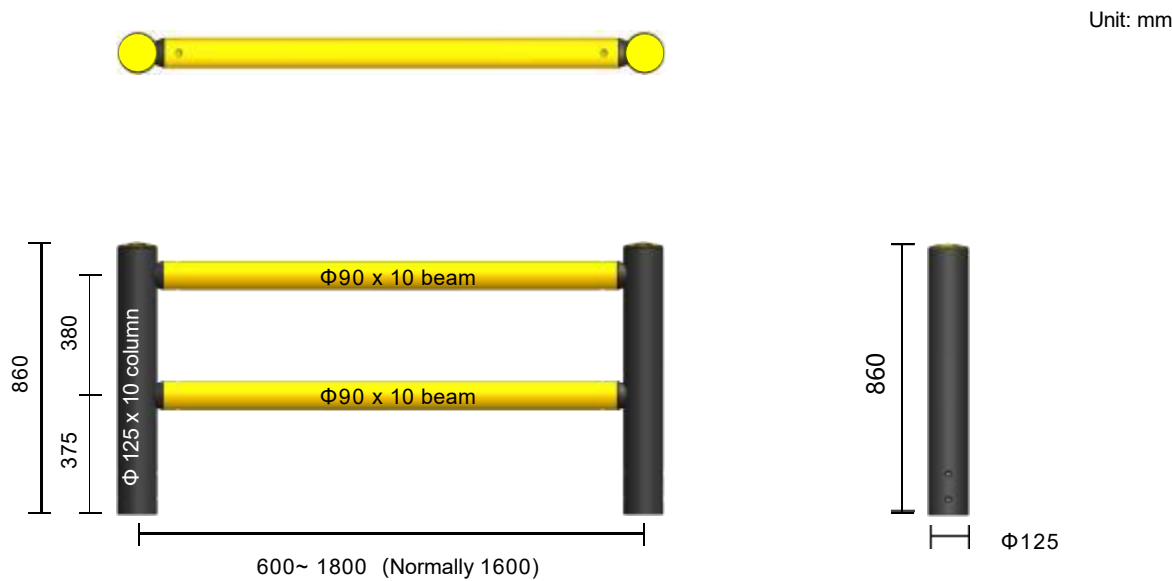
Refer to PAS 13 TUV certified



LA Double Barriers

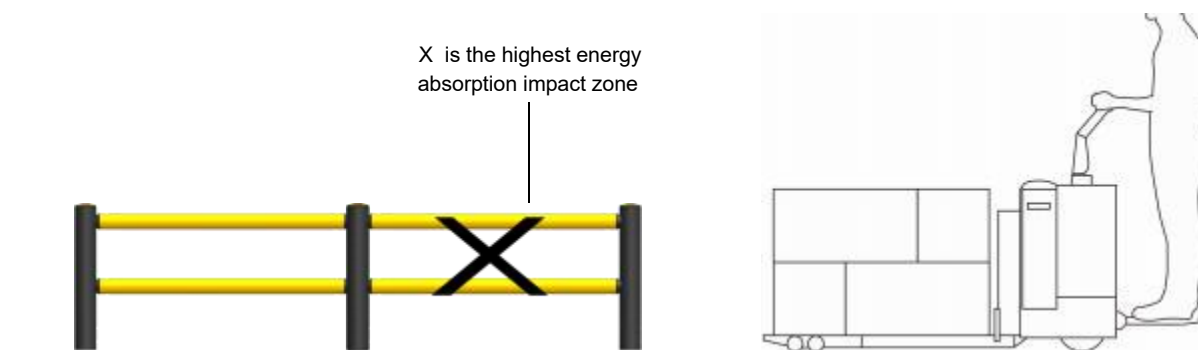


Scenes: Areas such as separation passages for pedestrians and vehicles, define and optimize the routing, protect people, machinery and equipment from impact damage.



Parts	Description
Pipe	Developed by imported polymer plastic, which have strong weather and chemical resistance, not easy to age; natural color with low chemical activity, UV resistance meets ISO4892-3; no corrosion.
Base	Metal, rubber and other materials combined assembly, metal is treat by electrophoresis, withstand 72 hours exposure to neutral salt spray with no rust.
Ground Connection	Fixed by inverted cone chemical anchor bolt, with dacromet, withstand 1000 hours exposure to neutral salt spray with no rust.

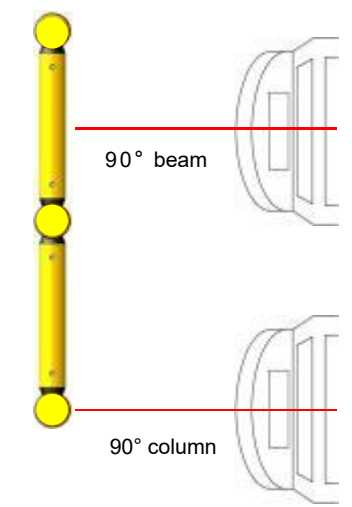
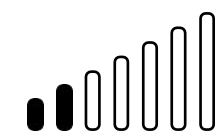
Traffic black RAL9017
 Signal yellow RAL1003



Absorbable impact energy: Forklift and barrier 90 degrees, impact of forklift tail on the middle of 1.6m beam

1.5 Tonne vehicle at **5.0** km/h

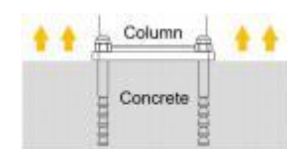
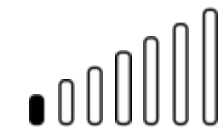
1447 Joules



Absorbable impact energy: Forklift and barrier 90 degrees, impact of the forklift's tail on the middle of the column

1.5 Tonne vehicle at **4.0** km/h

926 Joules



Adopting German imported reinforcement glue and anchor bolt which can bear 33kN tensile load

Refer to PAS 13 TUV certified



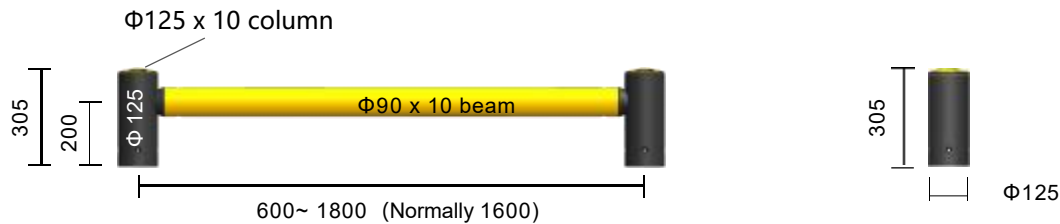
LA Single Barriers



Scenes: Areas such as separation passages for pedestrians and vehicles, define and optimize the routing, protect people, machinery and equipment from impact damage.

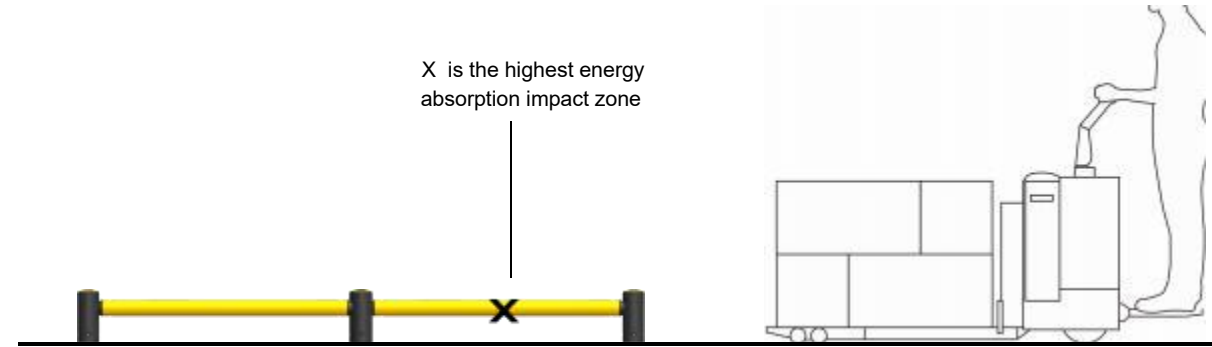


Unit: mm



Parts	Description
Pipe	Developed by imported polymer plastic, which have strong weather and chemical resistance, not easy to age; natural color with low chemical activity, UV resistance meets ISO4892-3; no corrosion.
Base	Metal, rubber and other materials combined assembly, metal is treat by electrophoresis, withstand 72 hours exposure to neutral salt spray with no rust.
Ground Connection	Fixed by inverted cone chemical anchor bolt, with dacromet, withstand 1000 hours exposure to neutral salt spray with no rust.

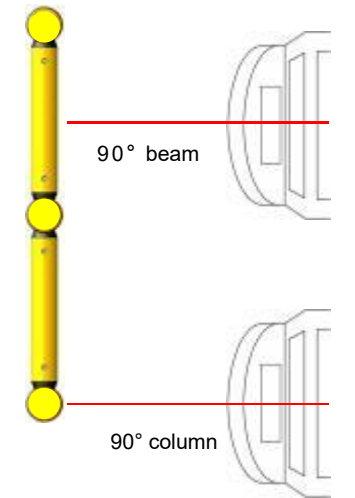
Traffic black RAL9017
 Signal yellow RAL1003



Absorbable impact energy: Forklift and beam 90 degrees, impact of forklift tail on the middle of 1.6m beam

1.5 Tonne vehicle at **4.5** km/h

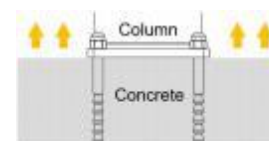
1172 Joules



Absorbable impact energy: Forklift and column 90 degrees, impact of the forklift's tail on the middle of the column

1.5 Tonne vehicle at **4.0** km/h

926 Joules

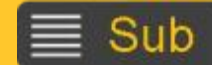


Adopting German imported reinforcement glue and anchor bolt which can bear 33kN tensile load

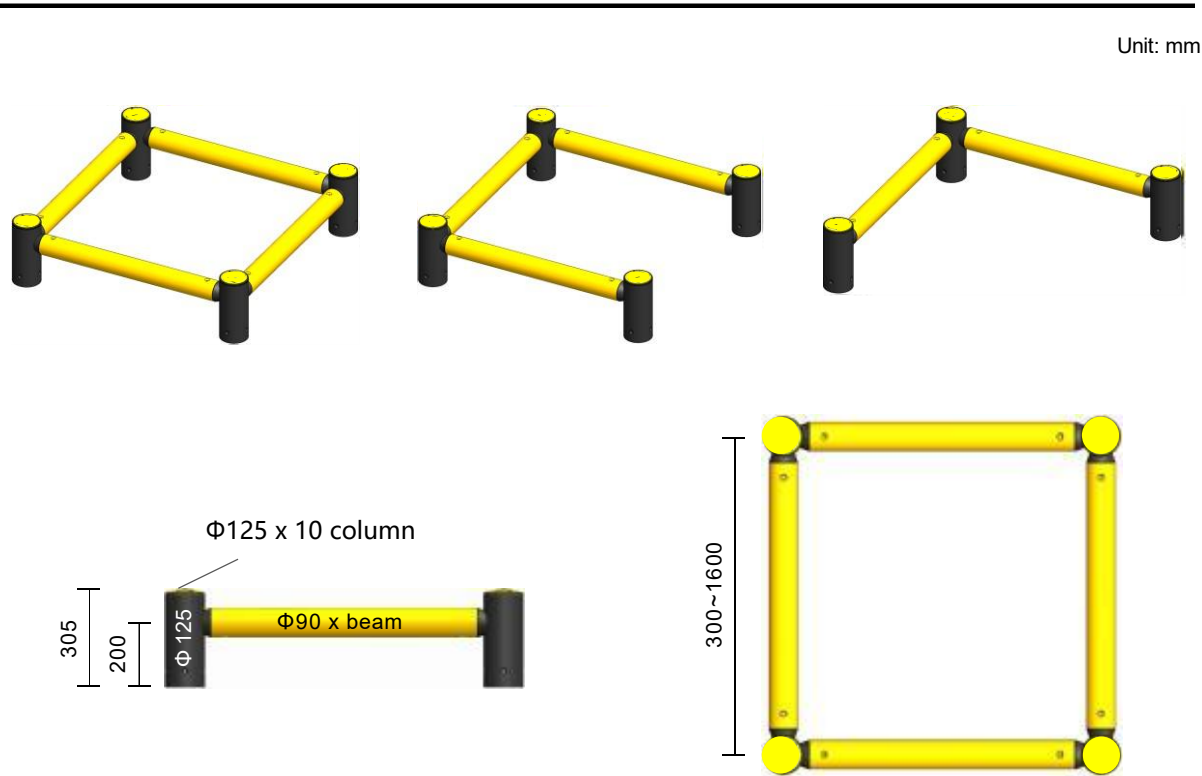
Refer to PAS 13 TUV certified



LA Single Building Barriers

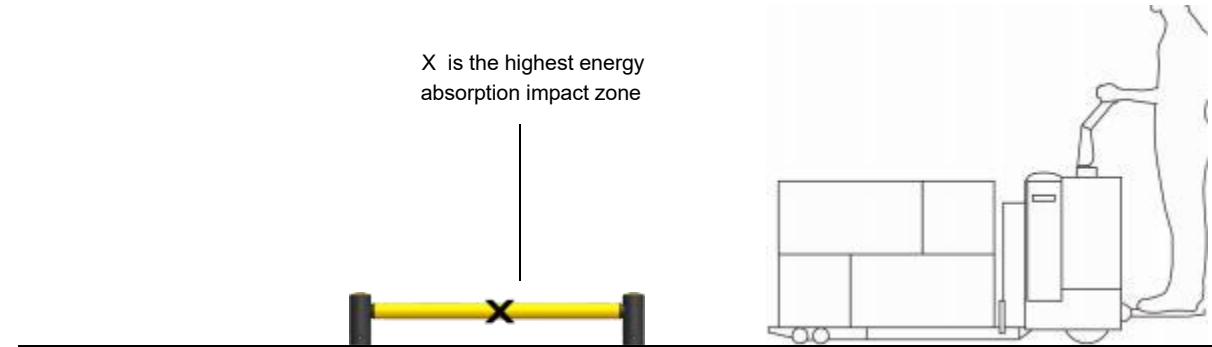


Scenes: Protect building columns, electrical cabinets, etc. prevent damage from forklifts.



Parts	Description
Pipe, Base, Ground Connection Parts	Same as LA Single Barriers (details in LA Single Barriers)

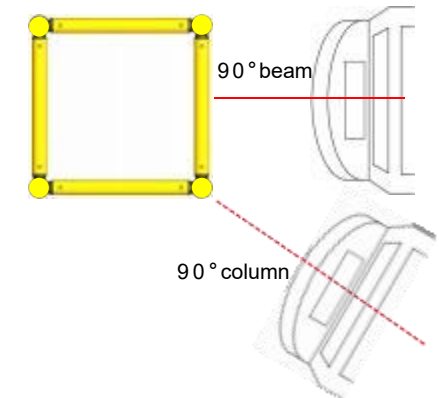
Traffic black RAL9017
 Signal yellow RAL1003



Absorbable impact energy: Forklift and beam 90 degrees, impact of forklift tail on the middle of 0.8m beam

1.5 Tonne vehicle at **5.0** km/h

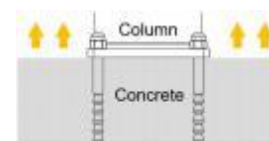
1447 Joules



Absorbable impact energy: Forklift and column 90 degrees, impact of forklift tail on the bollard

1.5 Tonne vehicle at **4.0** km/h

926 Joules



Adopting German imported reinforcement glue and anchor bolt which can bear 33kN tensile load

Refer to PAS 13 TUV certified



LS Single Barriers



Home

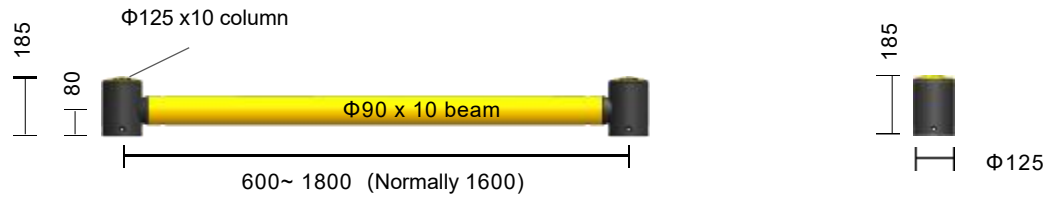
Sub

VICHnet

Scenes: It is suitable for protection in ultra-low area to prevent injury caused by fork foot.

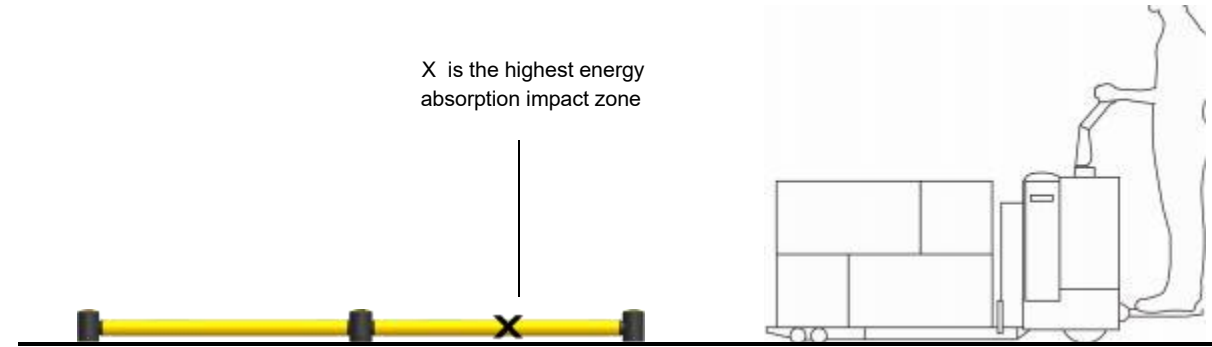


Unit: mm



Parts	Description
Pipe	Developed by imported polymer plastic, which have strong weather and chemical resistance, not easy to age; natural color with low chemical activity, UV resistance meets ISO4892-3; no corrosion.
Base	Metal, rubber and other materials combined assembly, metal is treat by electrophoresis, withstand 72 hours exposure to neutral salt spray with no rust.
Ground Connection	Fixed by inverted cone chemical anchor bolt, with dacromet, withstand 1000 hours exposure to neutral salt spray with no rust.

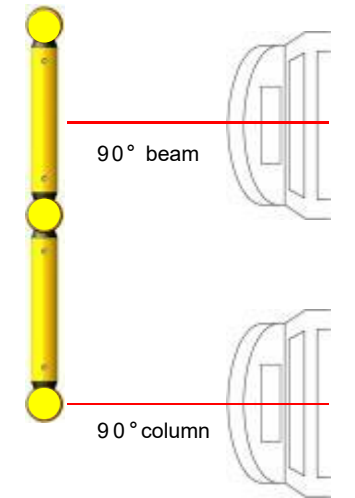
Traffic black RAL9017
 Signal yellow RAL1003



Absorbable impact energy: Forklift and barrier 90 degrees, impact of forklift tail on the middle of 1.6m beam

1.5 Tonne vehicle at 4.0 km/h

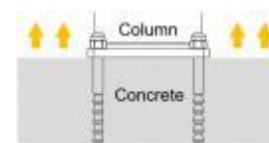
926 Joules



Absorbable impact energy: Forklift and barrier 90 degrees, impact of the forklift's tail on the middle of the column

1.5 Tonne vehicle at 3.0 km/h

521 Joules



Adopting German imported reinforcement glue and anchor bolt which can bear 33kN tensile load

Refer to PAS 13 TUV certified

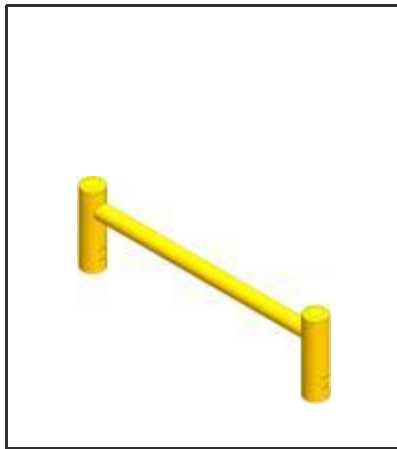
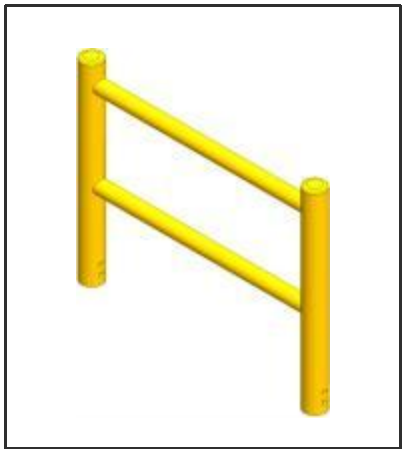




E Barriers



*Intelligent Safety
Protection Experts*



ES Double Barriers (*Page 27*) ES Single Barriers (*Page 28*)



ES Double Barriers



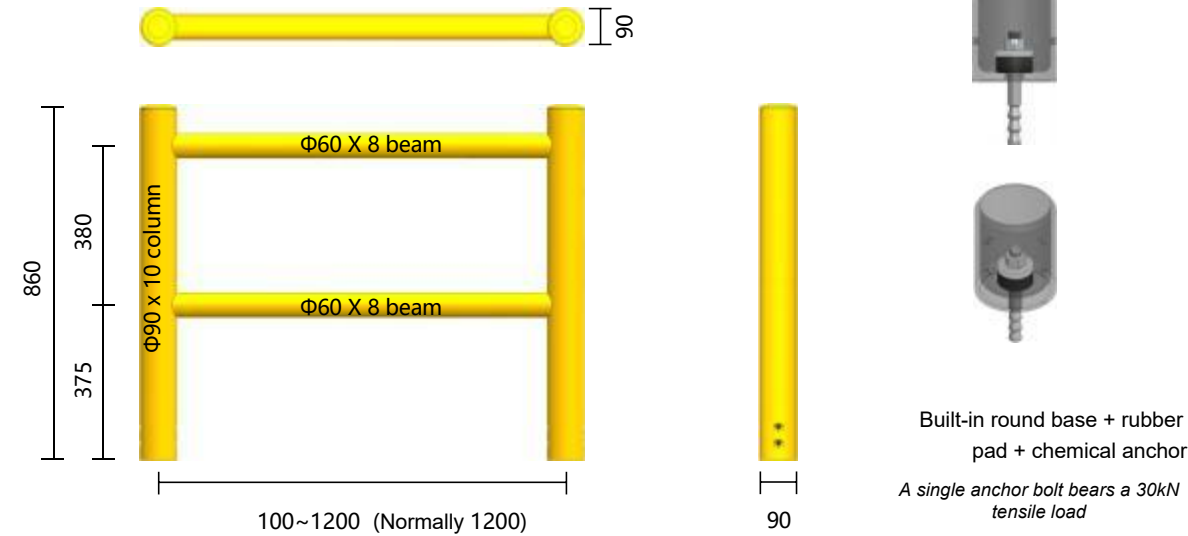
Home

Sub

VICHnet

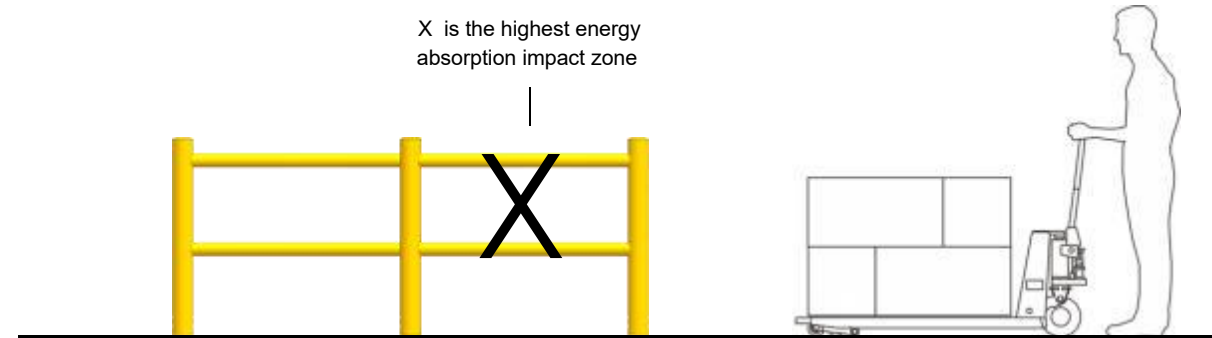
Scenes: Areas such as separation passages for pedestrians and vehicles, define and optimize the routing, protect people, machinery and equipment from impact damage.

Unit: mm



Parts	Description
Pipe	Developed by imported polymer plastic, which have strong weather and chemical resistance, not easy to age; natural color with low chemical activity, UV resistance meets ISO4892-3; no corrosion.
Base	Fixed by chemical anchor bolt, with electrophoresis treatment, withstand 72 hours exposure to neutral salt spray with no rust.

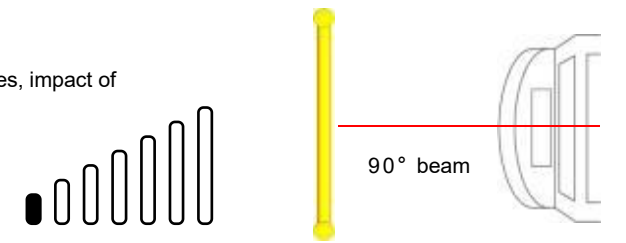
Traffic black RAL9017
 Signal yellow RAL1003



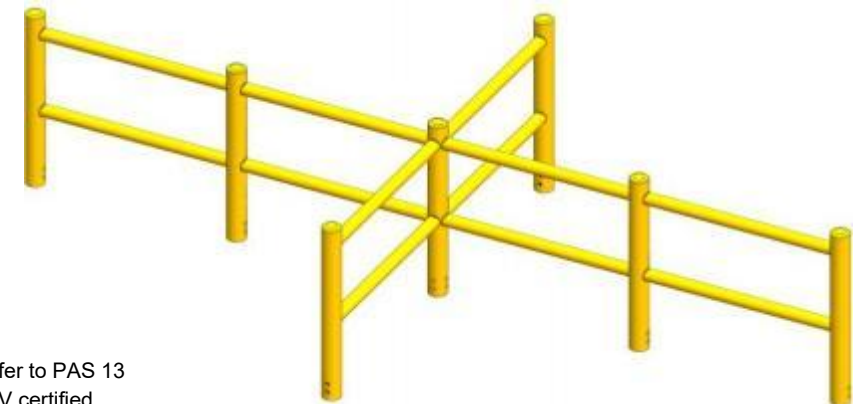
Absorbable impact energy: Forklift and barrier 90 degrees, impact of forklift tail on the middle of 1.0m beam

0.5 Tonne vehicle at **5.0** km/h

483 Joules



Application Case:



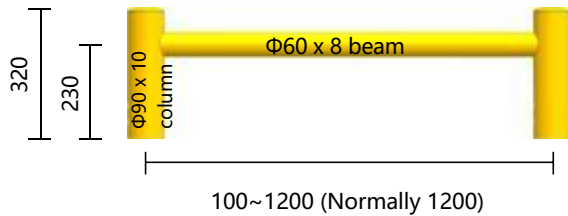
Refer to PAS 13
TUV certified

ES Single Barriers



Scenes: Protect wall, building columns, and other property.

Unit: mm

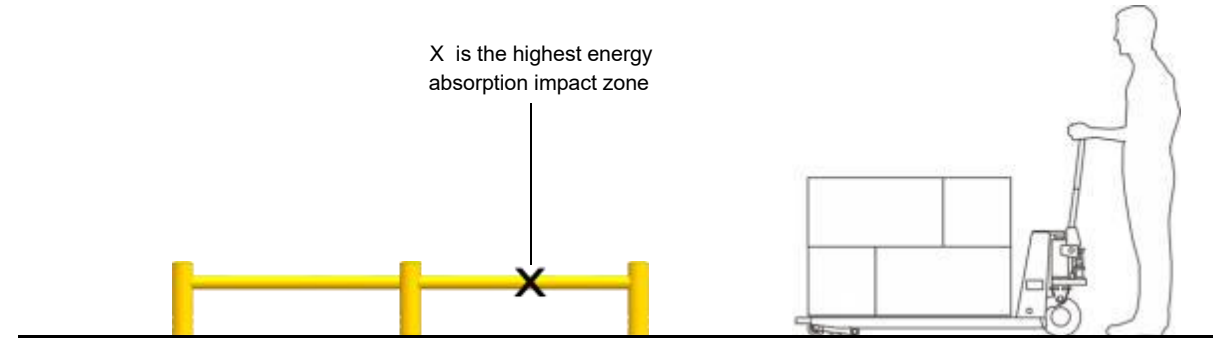


Built-in round base + rubber pad + chemical anchor
A single anchor bolt bears a 30kN tensile load

Parts	Description
Pipe	Developed by imported polymer plastic, which have strong weather and chemical resistance, not easy to age; natural color with low chemical activity, UV resistance meets ISO4892-3; no corrosion.
Base	Fixed by chemical anchor bolt, with electrophoresis treatment, withstand 72 hours exposure to neutral salt spray with no rust.

Traffic black RAL9017

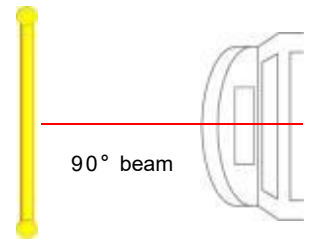
Signal yellow RAL1003



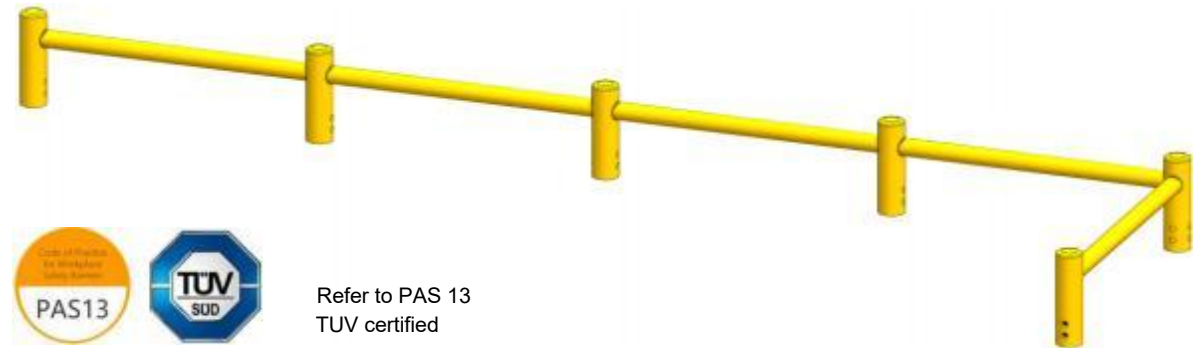
Absorbable impact energy: Forklift and barrier 90 degrees, impact of forklift tail on the middle of 1.0m beam

0.5 Tonne vehicle at 4.0 km/h

308 Joules



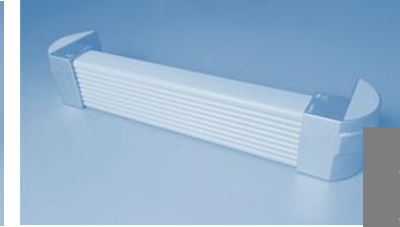
Application Case:



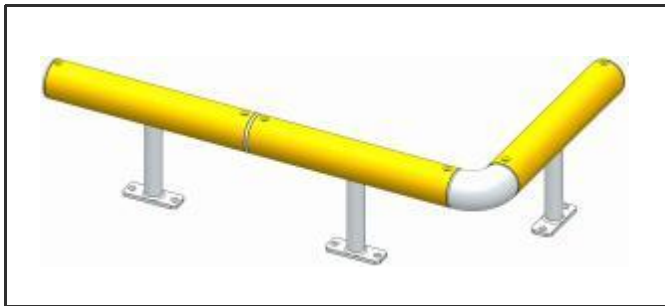
Refer to PAS 13
TUV certified



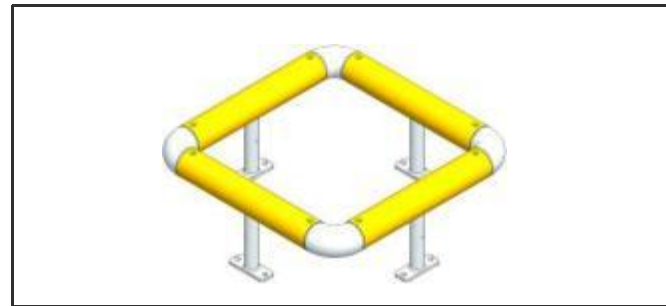
S Barriers



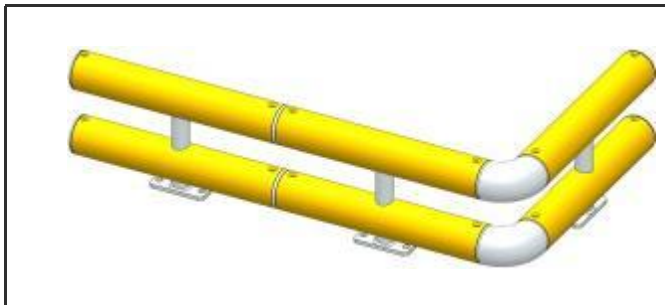
*Intelligent Safety
Protection Experts*



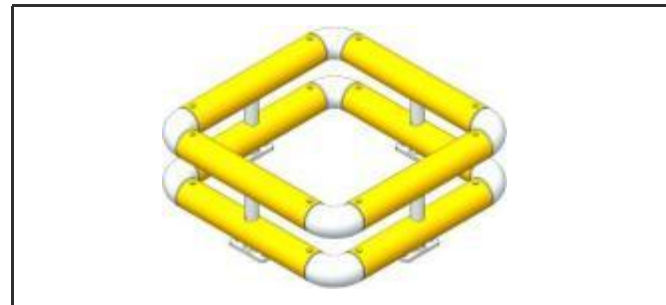
SA Single Barriers (Page 30)



SA Single Building Barriers (Page 31)



SA Double Barriers (Page 32)



SA Double Building Barriers (Page 33)



SA Single Barriers

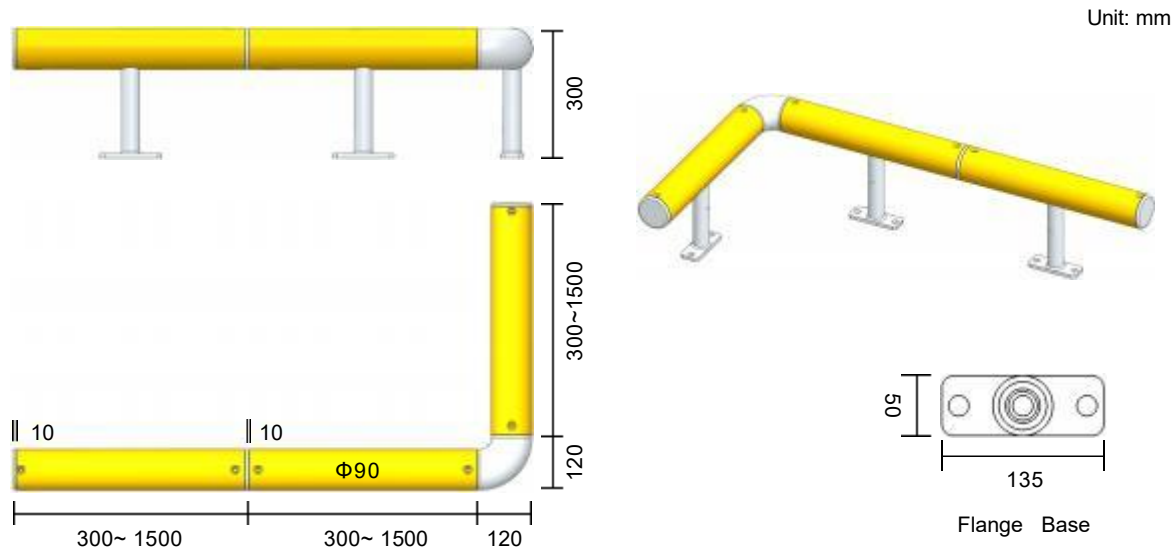


Home

Sub



VICHnet

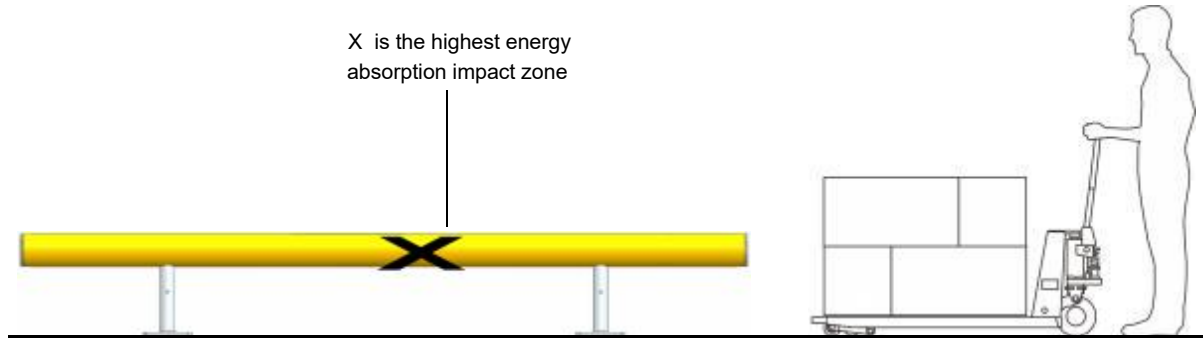
Scenes: Protect the corners of the workshop, prevent collisions from moving equipment, vehicles and goods .



Unit: mm

Parts	Description
Pipe	Developed by imported polymer plastic, which have strong weather and chemical resistance, not easy to age; natural color with low chemical activity, UV resistance meets ISO4892-3; no corrosion.
Base	The exposed metal is treat by powder coating, withstand 500 hours exposure to neutral salt spray with no rust.
Ground Connection	Fixed by inverted cone chemical anchor bolt, with dacromet, withstand 1000 hours exposure to neutral salt spray with no rust; fastened by SS304 cap nut.

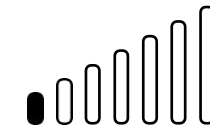
 Signal yellow RAL1003  Grey white RAL9002



Absorbable impact energy: Forklift and barrier 90 degrees, impact of forklift on the middle of 1.5m beam

1.0 Tonne vehicle at **5.0** km/h

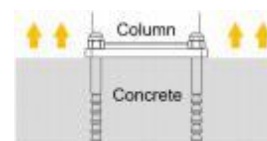
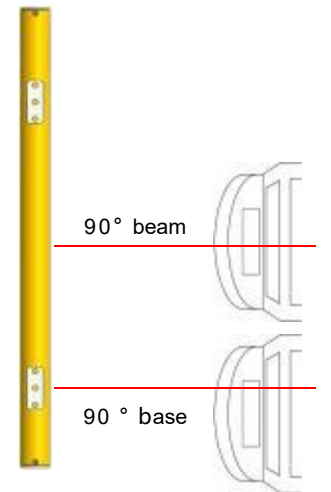
926 Joules



Absorbable impact energy: Forklift and barrier 90 degrees, impact of forklift on the base

1.0 Tonne vehicle at **3.0** km/h

347 Joules



Adopting German imported reinforcement glue and anchor bolt which can bear 33kN tensile load

Refer to PAS 13 TUV certified



SA Single Building Barriers

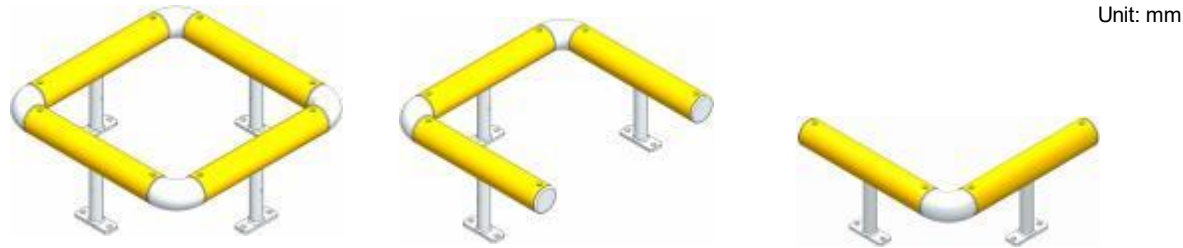


Home

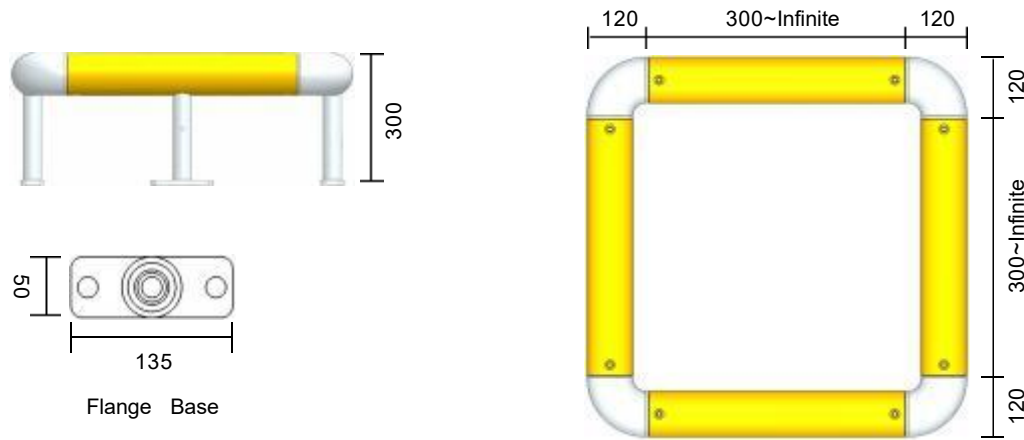
Sub

VICHnet

Scenes: Protect building columns, electrical cabinets, etc. prevent damage from forklifts.



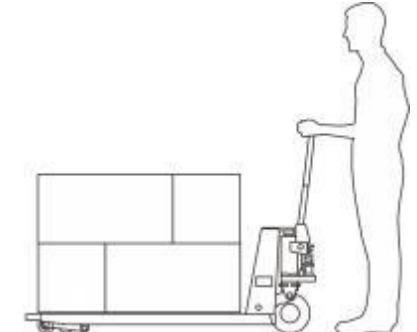
Unit: mm



Parts	Description
Pipe, Base, Ground Connection Parts	Same as SA Single Barriers (details in SA Single Barriers)

Signal yellow RAL1003 Grey white RAL9002

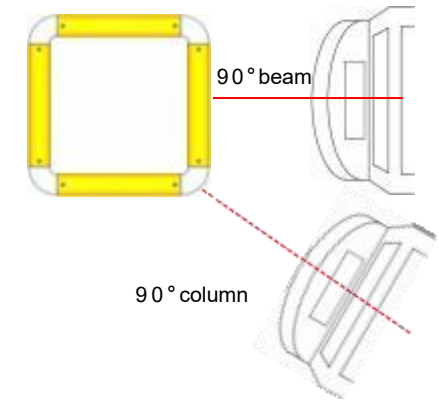
X is the highest energy absorption impact zone



Absorbable impact energy: Forklift and beam 90 degrees, impact of forklift tail on the middle of 1.0m beam

1.0 Tonne vehicle at 5.0 km/h

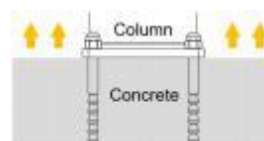
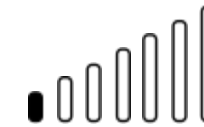
965 Joules



Absorbable impact energy: Forklift and column 90 degrees, impact of forklift tail on the column

1.0 Tonne vehicle at 3.0 km/h

347 Joules



Adopting German imported reinforcement glue and anchor bolt which can bear 33kN tensile load

Refer to PAS 13 TUV certified



SA Double Barriers

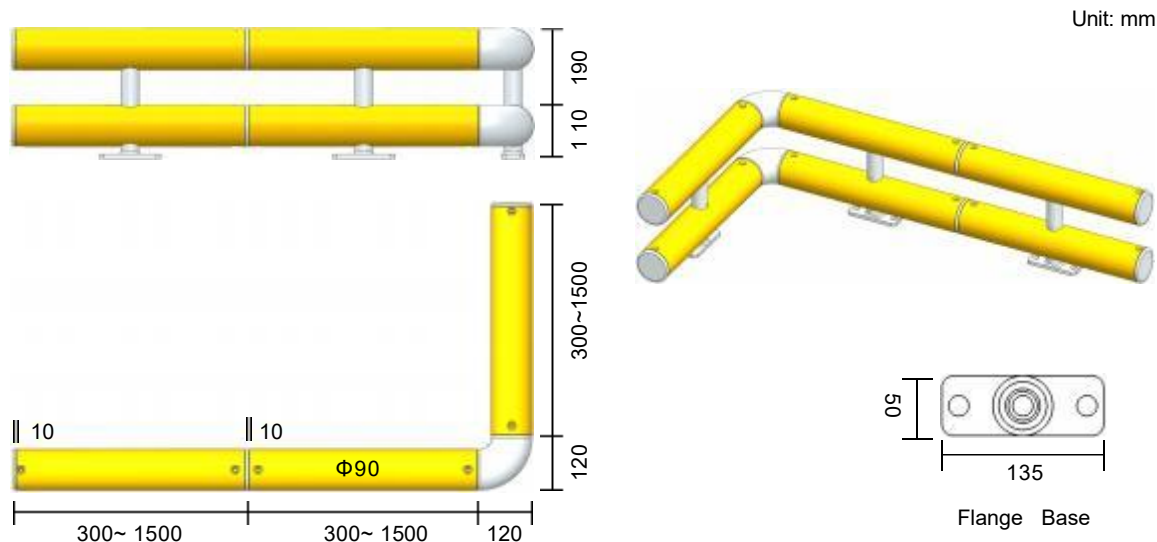


Home



Sub

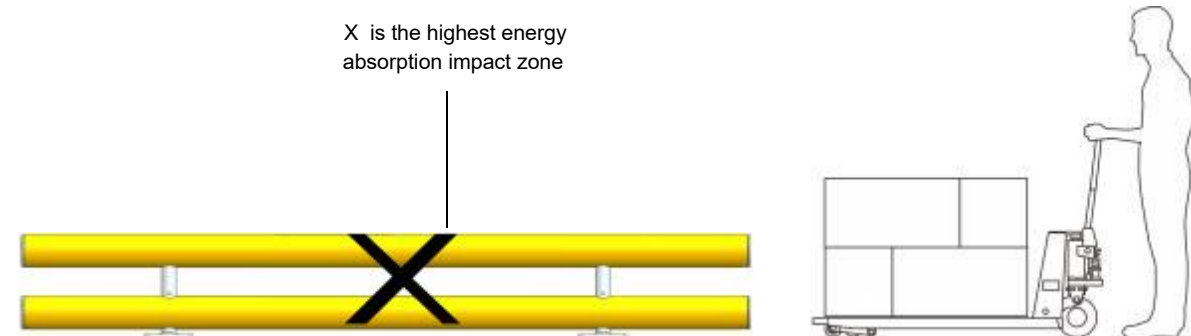
VICHnet

Scenes: Protect the corners of the workshop, prevent collisions from moving equipment, vehicles and goods. To prevent the forklift from passing through the bottom, a bar is added to the SA single barrier.



Parts	Description
Pipe	Developed by imported polymer plastic, which have strong weather and chemical resistance, not easy to age; natural color with low chemical activity, UV resistance meets ISO4892-3; no corrosion.
Base	The exposed metal is treat by powder coating, withstand 500 hours exposure to neutral salt spray with no rust .
Ground Connection	Fixed by inverted cone chemical anchor bolt, with dacromet, withstand 1000 hours exposure to neutral salt spray with no rust; fastened by SS304 cap nut.

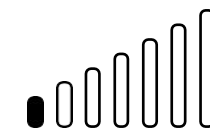
 Signal yellow RAL1003  Grey white RAL9002



Absorbable impact energy: Forklift and barrier 90 degrees, impact of forklift on the middle of 1.5m beam

1.0 Tonne vehicle at **5.0** km/h

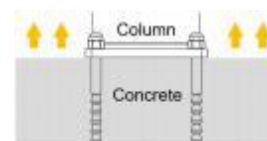
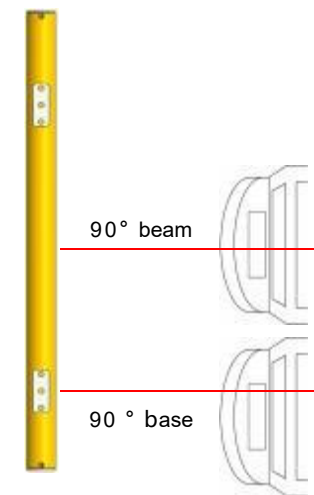
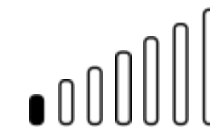
926 Joules



Absorbable impact energy: Forklift and barrier 90 degrees, impact of forklift on the base

1.0 Tonne vehicle at **3.0** km/h

347 Joules



Adopting German imported reinforcement glue and anchor bolt which can bear 33kN tensile load

Refer to PAS 13 TUV certified



SA Double Building Barriers

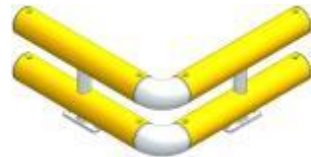
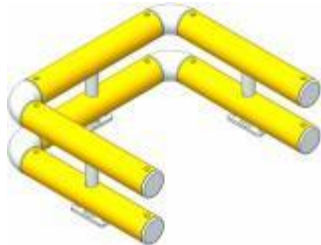
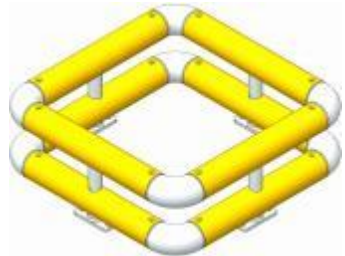


Home

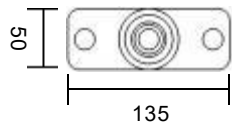
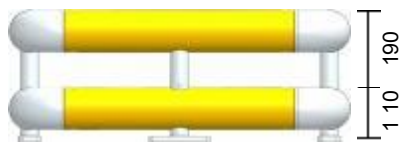
Sub

VICHnet

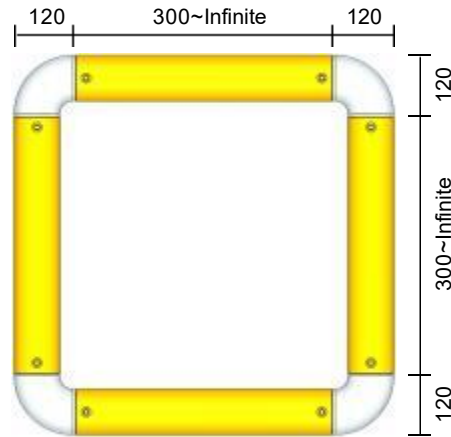
Scenes: Protect building columns, electrical cabinets, etc. prevent damage from forklifts. To prevent the forklift from passing through the bottom, a bar is added to the SA single barrier.





Unit: mm



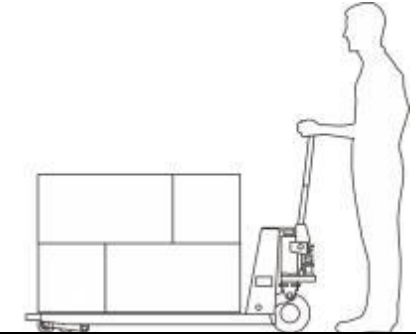
Flange Base



Parts	Description
Pipe, Base, Ground Connection Parts	Same as SA Double Barriers (details in SA Double Barriers)

-  Signal yellow RAL1003
-  Grey white RAL9002

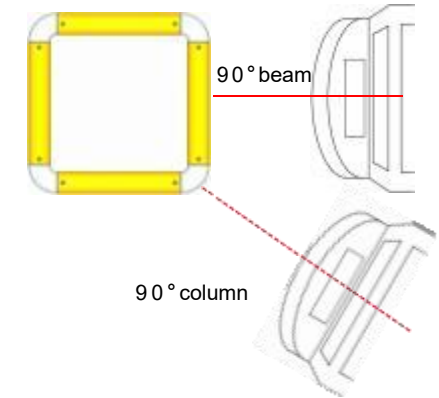
X is the highest energy absorption impact zone



Absorbable impact energy: Forklift and beams 90 degrees, impact of forklift tail on the middle of 1.0m beam

1.0 Tonne vehicle at 5.0 km/h

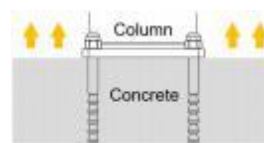
965 Joules



Absorbable impact energy: Forklift and column 90 degrees, impact of forklift tail on the column

1.0 Tonne vehicle at 3.0 km/h

347 Joules



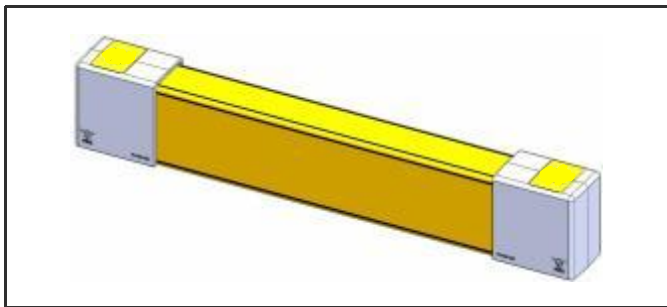
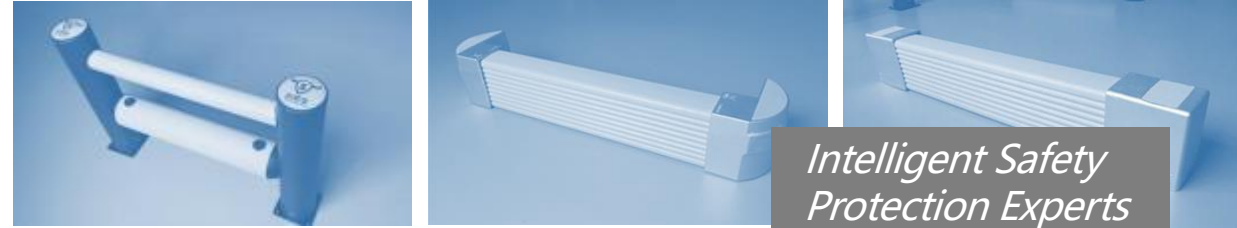
Adopting German imported reinforcement glue and anchor bolt which can bear 33kN tensile load

Refer to PAS 13 TUV certified

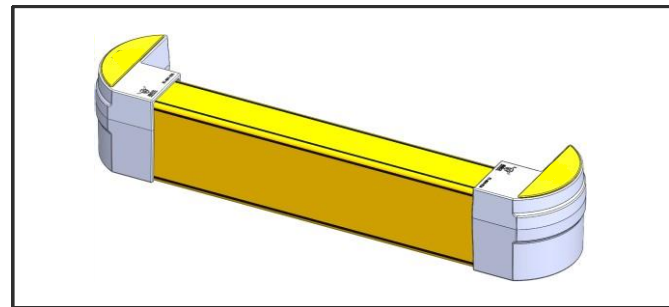




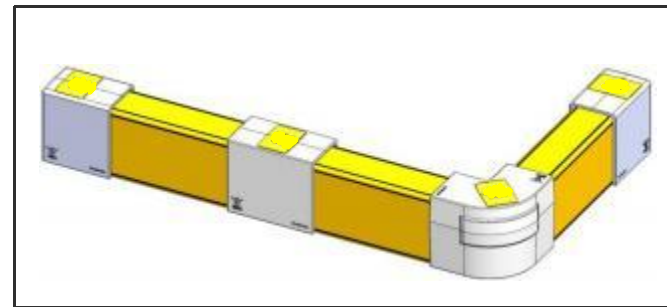
Ground Barriers



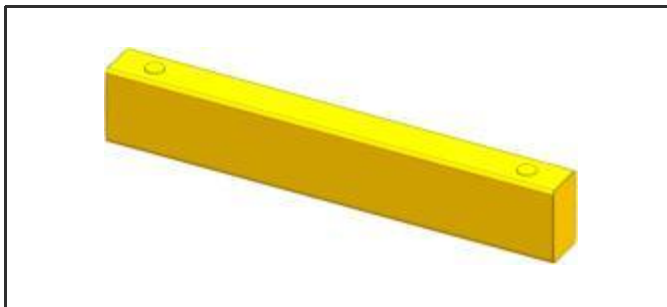
Horizontal Ground Barriers (Page 35)



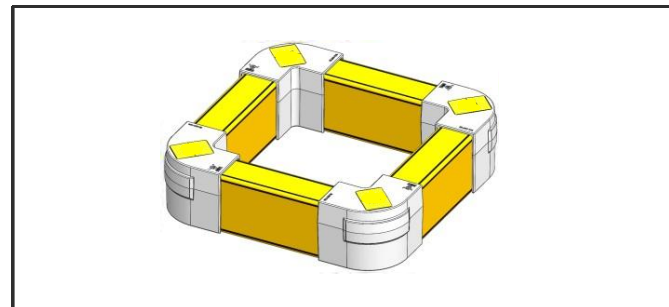
Arcuated Ground Barriers (Page 36)



Combination of Ground Barriers (Page 37)



Ground Barriers (Built-In Base Type) (Page 38)



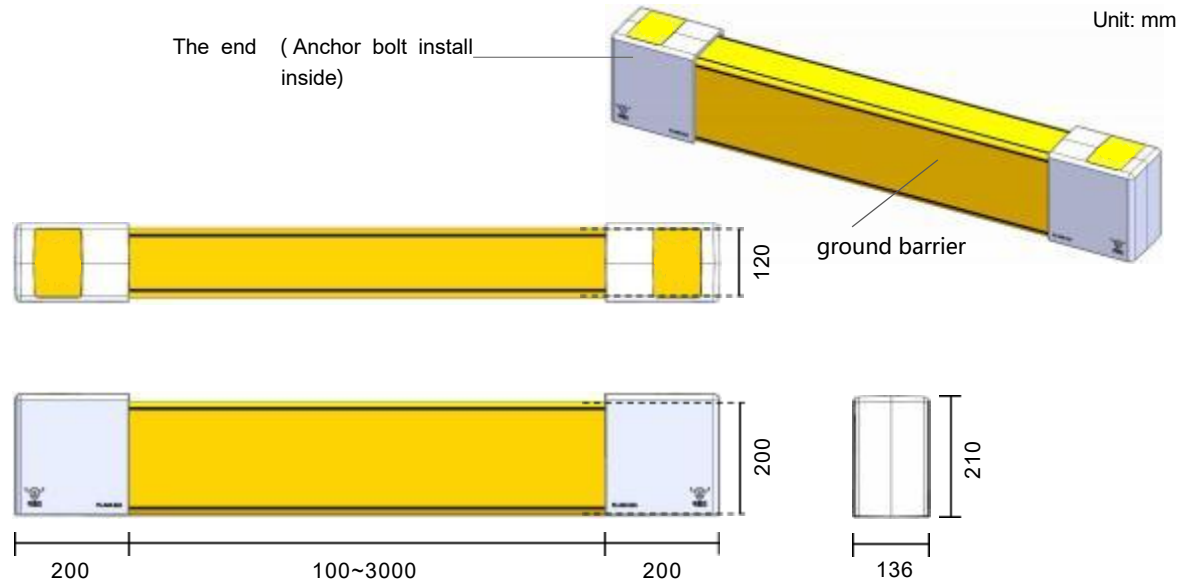
Ground Barriers Building Barriers (Page 39)





Horizontal Ground Barriers

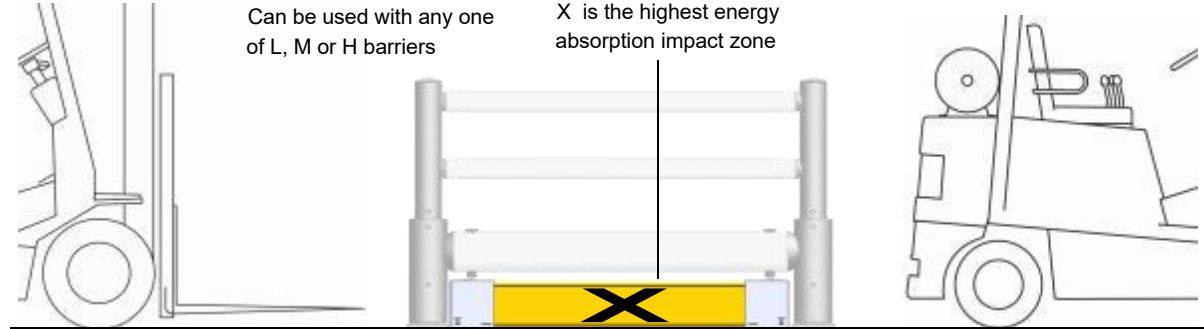


Scenes: Protect at ground level, combine with L, M and H barriers, to prevent the forklift from passing through the barriers.



Parts	Description
Pipe	Developed by imported polymer plastic, which have strong weather and chemical resistance, not easy to age; natural color with low chemical activity, UV resistance meets ISO4892-3; no corrosion.
Base	The end is made of one-piece casting of high-strength metal, with dacromet, withstand 1000 hours exposure to neutral salt spray with no rust.
Ground Connection	Fixed by inverted cone chemical anchor bolt, with dacromet, withstand 1000 hours exposure to neutral salt spray with no rust.

 Signal yellow RAL1003  Grey white RAL9002



Absorbable impact energy: Forklift and barrier 90 degrees, impact of forklift on the middle of 1.8m Ground Barriers

3 Tonne vehicle at 5.5 km/h

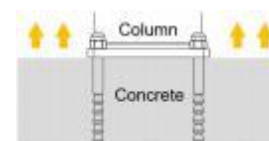
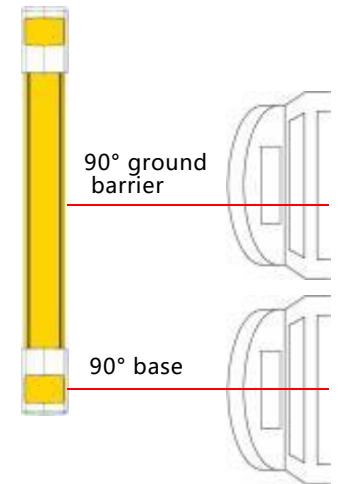
3502 Joules



Absorbable impact energy: Forklift and barrier 90 degrees, impact of forklift on the end (metal)

3 Tonne vehicle at 2.0 km/h

462 Joules

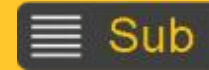


Adopting German imported reinforcement glue and anchor bolt which can bear 33kN tensile load

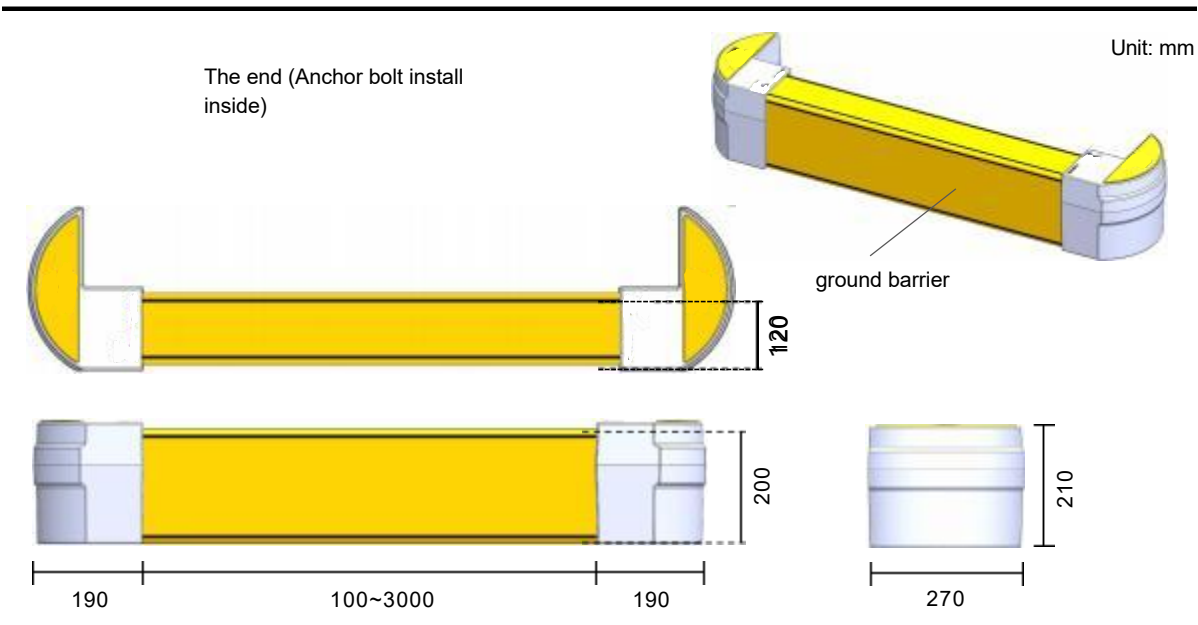
Refer to PAS 13 TUV certified



Arcuated Ground Barriers

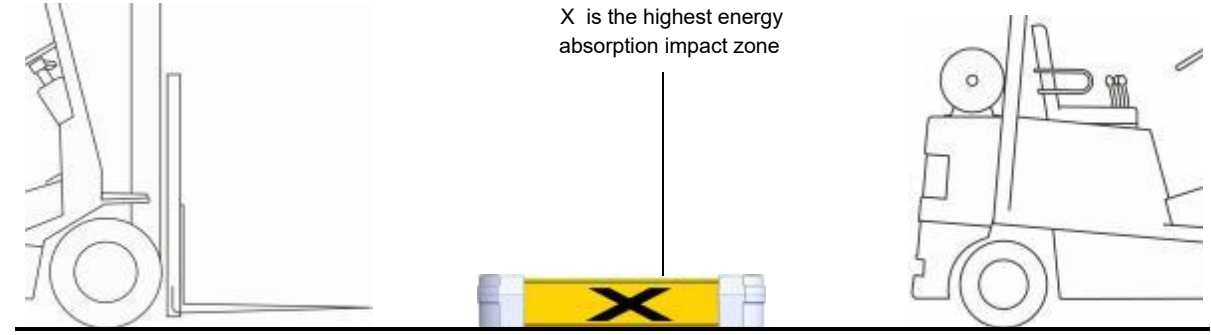


Scenes: Protect end of shelf.



Parts	Description
Pipe	Developed by imported polymer plastic, which have strong weather and chemical resistance, not easy to age; natural color with low chemical activity, UV resistance meets ISO4892-3; no corrosion.
Base	The end is made of one-piece casting of high-strength metal, with dacromet, withstand 1000 hours exposure to neutral salt spray with no rust.
Ground Connection	Fixed by inverted cone chemical anchor bolt, with dacromet, withstand 1000 hours exposure to neutral salt spray with no rust.

Signal yellow RAL1003 Grey white RAL9002



Absorbable impact energy: Forklift and barrier 90 degrees, impact of forklift on the middle of 1.8m Ground Barriers

3 Tonne vehicle at 5.5 km/h

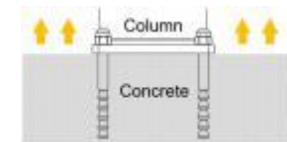
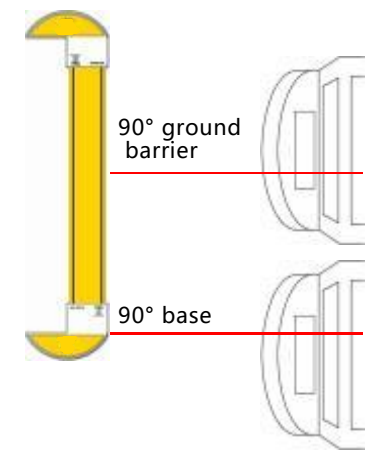
3502 Joules



Absorbable impact energy: Forklift and barrier 90 degrees, impact of forklift on the end (metal)

3 Tonne vehicle at 2.0 km/h

462 Joules



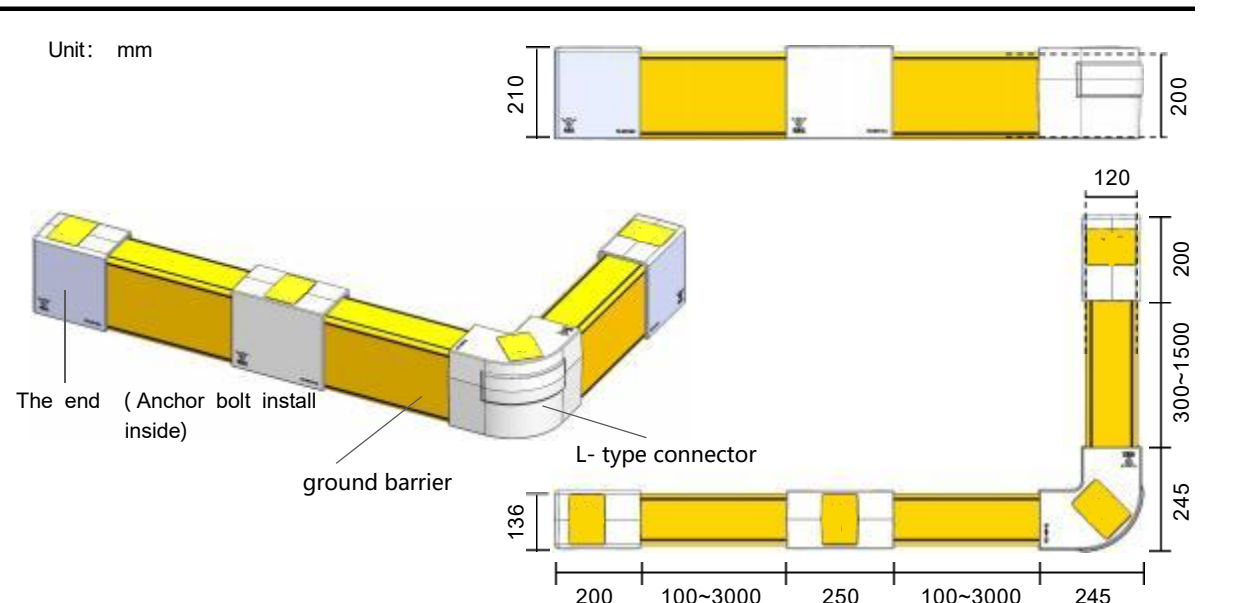
Adopting German imported reinforcement glue and anchor bolt which can bear 33kN tensile load



Combination of Ground Barriers

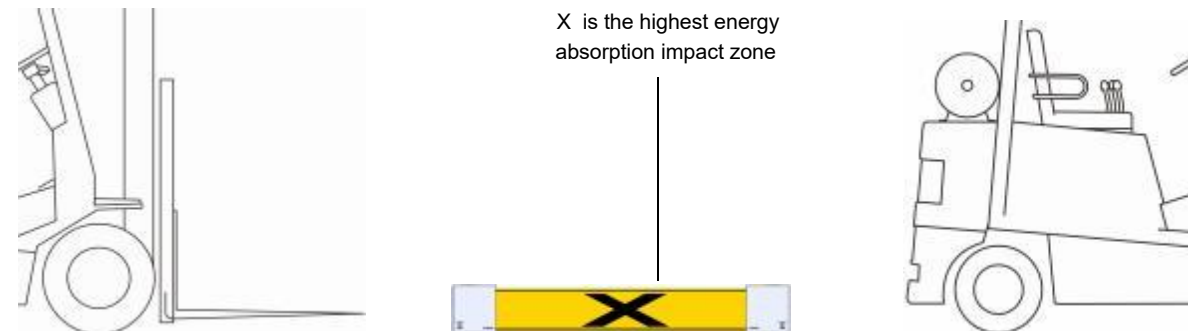


Scenes: It is suitable for the area of landing protection to prevent the damage caused by the impact of forklift tail and fork foot.



Parts	Description
Pipe	Developed by imported polymer plastic, which have strong weather and chemical resistance, not easy to age; natural color with low chemical activity, UV resistance meets ISO4892-3; no corrosion.
Base	The end is made of one-piece casting of high-strength metal, with dacromet, withstand 1000 hours exposure to neutral salt spray with no rust.
Ground Connection	Fixed by inverted cone chemical anchor bolt, with dacromet, withstand 1000 hours exposure to neutral salt spray with no rust.

Signal yellow RAL1003
 Grey white RAL9002



Absorbable impact energy: Forklift and barrier 90 degrees, impact of forklift on the middle of 1.8m Ground Barriers

3 Tonne vehicle at 5.5 km/h

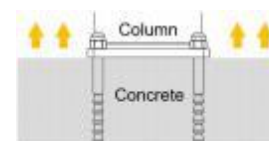
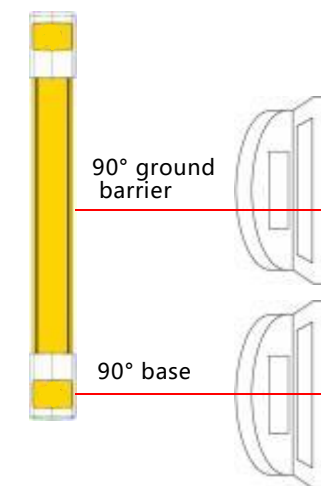
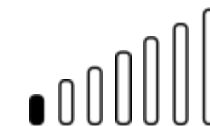
3502 Joules



Absorbable impact energy: Forklift and barrier 90 degrees, impact of forklift on the end (metal)

3 Tonne vehicle at 2.0 km/h

462 Joules



Adopting German imported reinforcement glue and anchor bolt which can bear 33kN tensile load

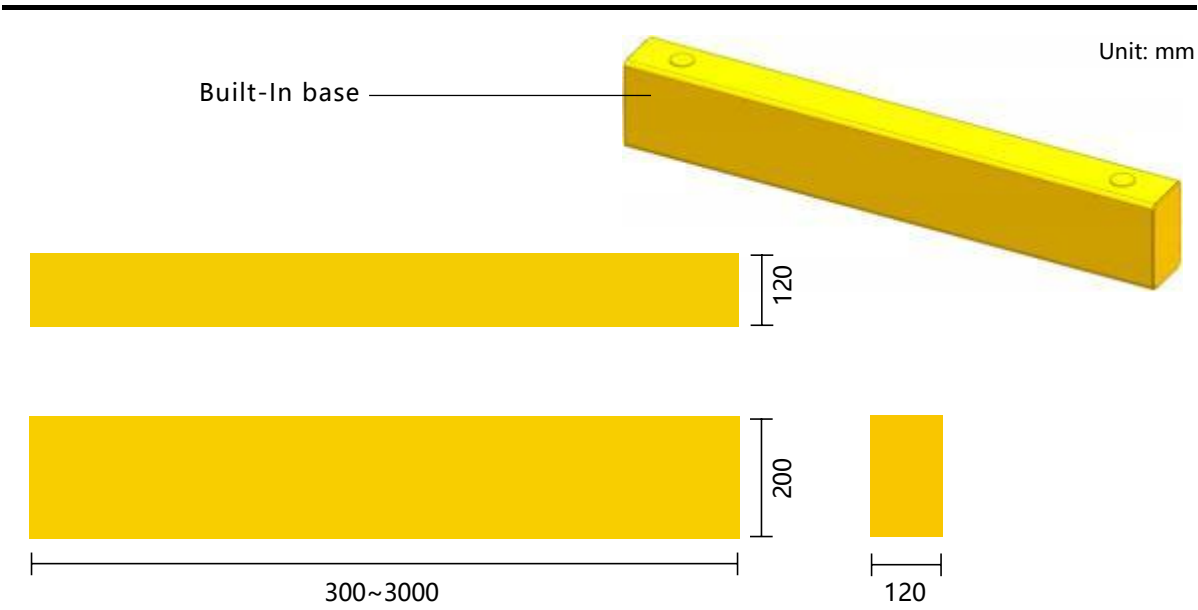
Refer to PAS 13 TUV certified



Ground Barriers (Built-In Base Type)

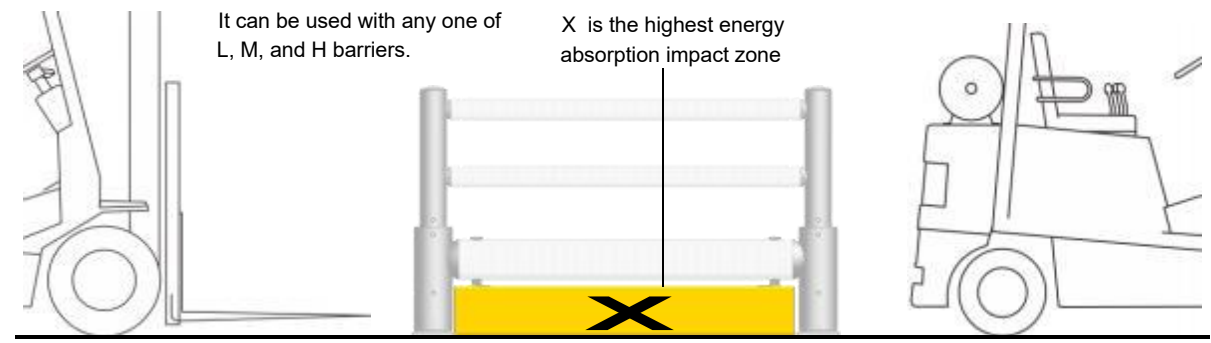


Scenes: It is suitable for the area of landing protection and in combination with L, M, and H barriers to prevent the damage caused by the impact of forklift tail and fork foot.



Parts	Description
Pipe	Developed by imported polymer plastic, which have strong weather and chemical resistance, not easy to age; natural color with low chemical activity, UV resistance meets ISO4892-3; no corrosion.
Base	The exposed metal is treated by black powder coating and withstands 500 hours of exposure to neutral salt spray with no rust.
Ground Connection	Fixed by inverted cone chemical anchor bolt, with dacromet, withstand 1000 hours exposure to neutral salt spray with no rust .

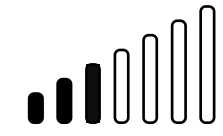
Signal yellow RAL1003



Absorbable impact energy: Forklift and barrier 90 degrees, impact of forklift on the middle of 1.5m Ground Barriers

3 Tonne vehicle at **4.0** km/h

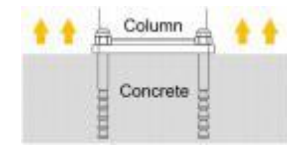
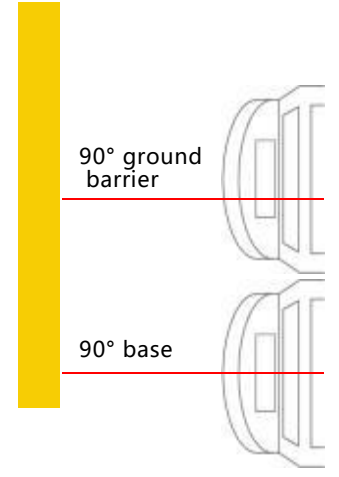
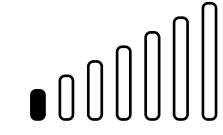
1848 Joules



Absorbable impact energy: Forklift and barrier 90 degrees, impact of forklift on the end (metal)

3 Tonne vehicle at **2.0** km/h

470 Joules



Adopting German imported reinforcement glue and anchor bolt which can bear 33kN tensile load

Refer to PAS 13 TUV certified



Ground Barriers Building Barriers

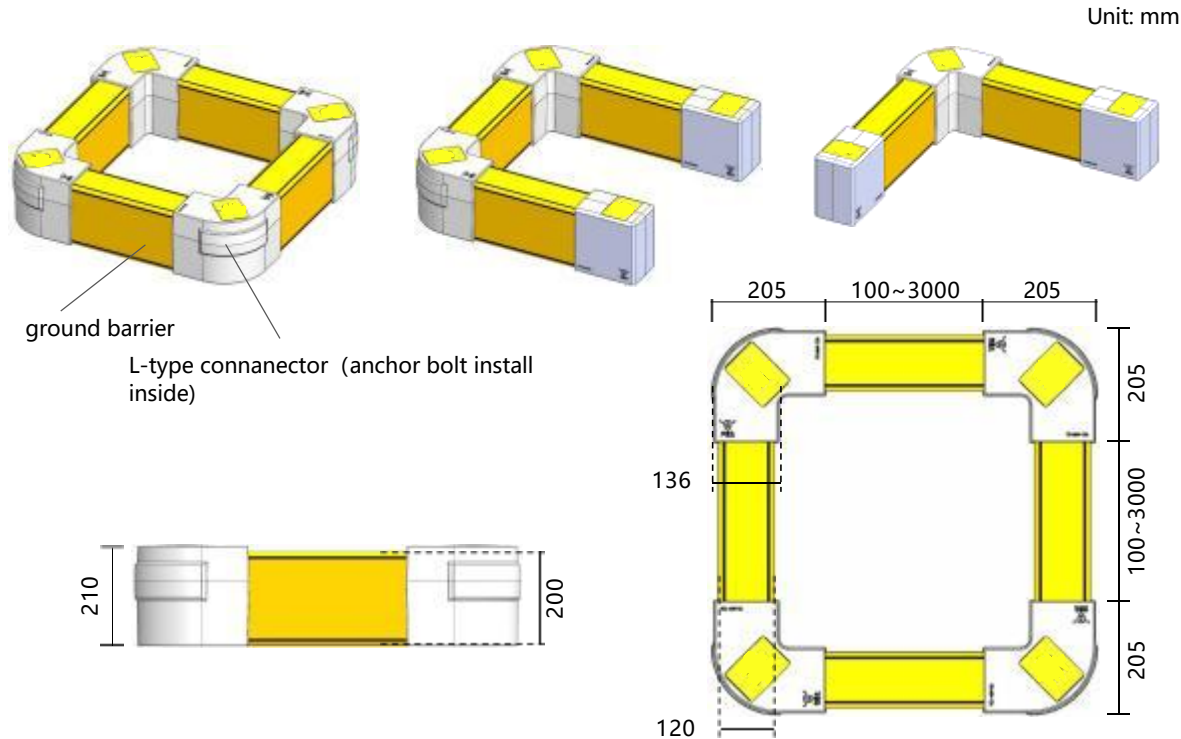


Home



Sub

VICHnet

Scenes: Protect building columns, electrical cabinets, etc. prevent damage from forklifts(especially fork), protect people, machinery and equipment from impact damage.



Parts	Description
Pipe, Base, Ground Connection Parts	Same as Combination of Ground Barriers (details in Combination of Ground Barriers)

 Signal yellow RAL1003  Grey white RAL9002

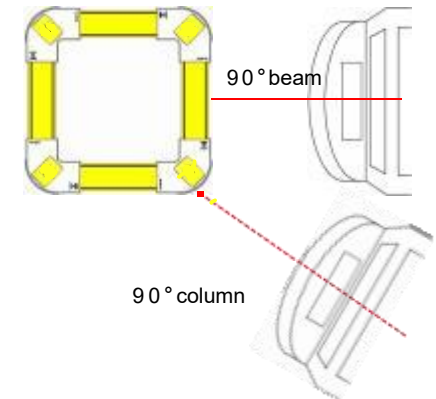
X is the highest energy absorption impact zone



Absorbable impact energy: Forklift and beam 90 degrees, impact of forklift tail on the middle of 1.8m beam

3 Tonne vehicle at 5.5 km/h

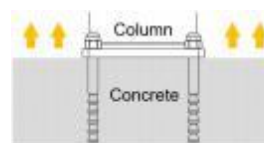
3502 Joules



Absorbable impact energy: Forklift and column 90 degrees, impact of forklift tail on the column

3 Tonne vehicle at 2.0 km/h

462 Joules



Adopting German imported reinforcement glue and anchor bolt which can bear 33kN tensile load

Refer to PAS 13 TUV certified





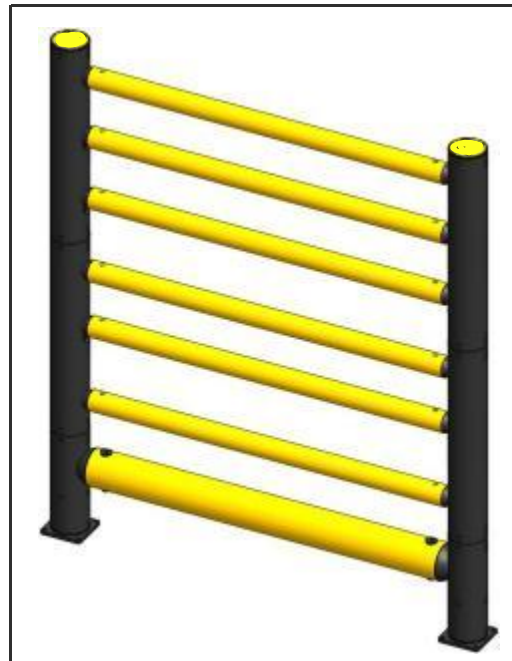
High Barriers



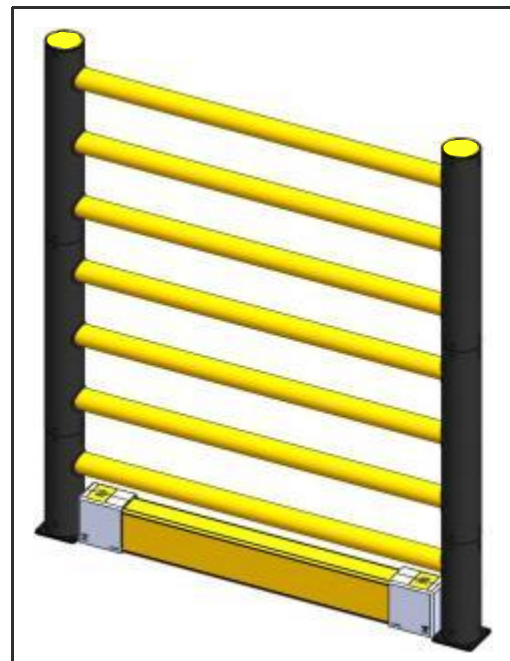
*Intelligent Safety
Protection Experts*



HC High Barriers (Page 41)



MC High Barriers (Page 42)



ME+ High Barriers (Page 43)



HC High Barriers

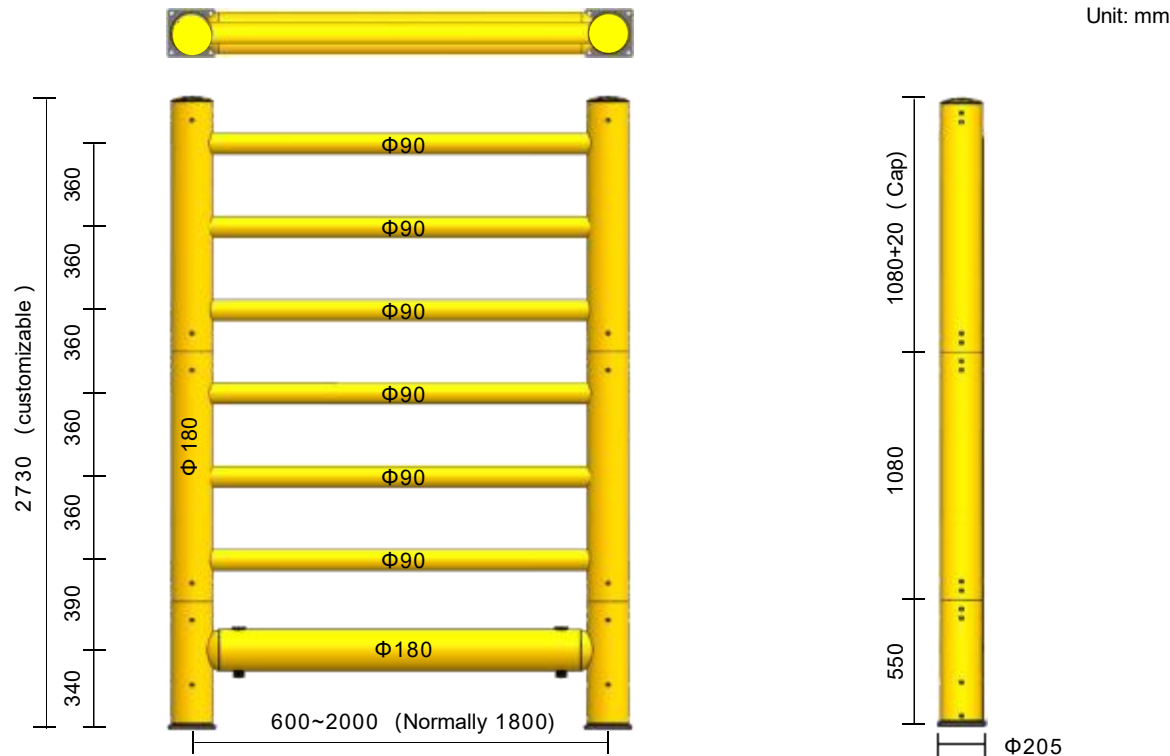


Home

Sub

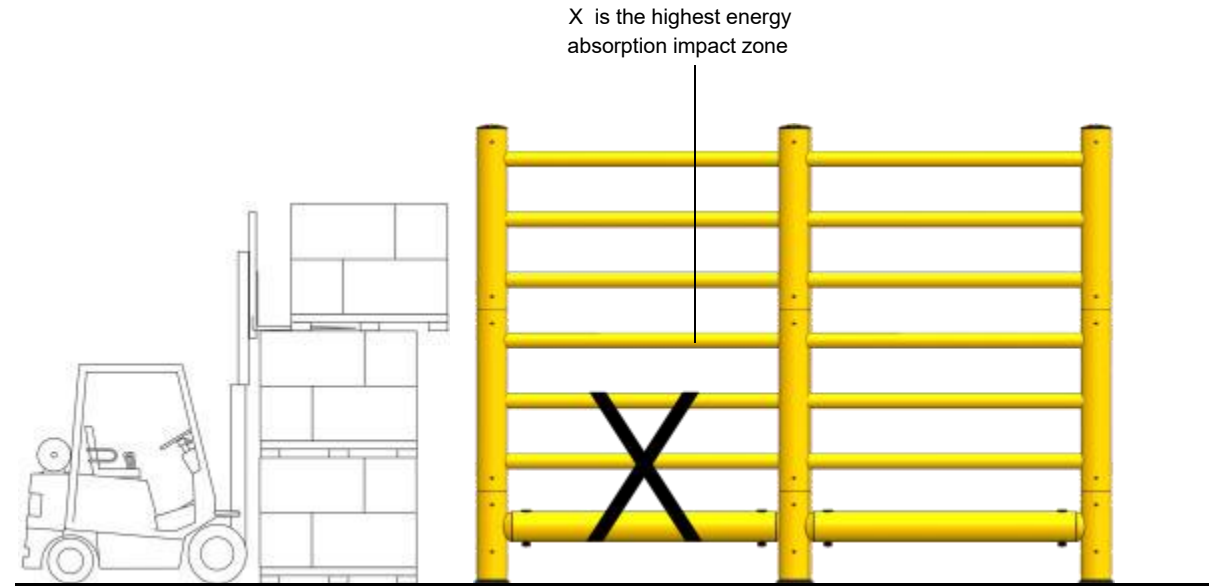
VICHnet

Scenes: Replacing traditional isolation fence, secure high-storage zones, prevent the dangerous toppling of stacked goods.



Parts	Description
Pipe, Base, Ground Connection Parts	Same as HC Triple Barriers (details in HC Triple Barriers)

Traffic black RAL9017
 Signal yellow RAL1003



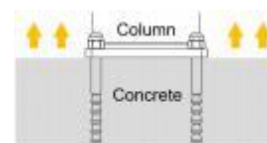
Absorbable impact energy: Same as HC Triple Barriers (details in HC Triple Barriers)

5 Tonne vehicle at **5.0** km/h

4823 Joules

5 Tonne vehicle at **2.75** km/h

1459 Joules



Adopting German imported reinforcement glue and anchor bolt which can bear 33kN tensile load

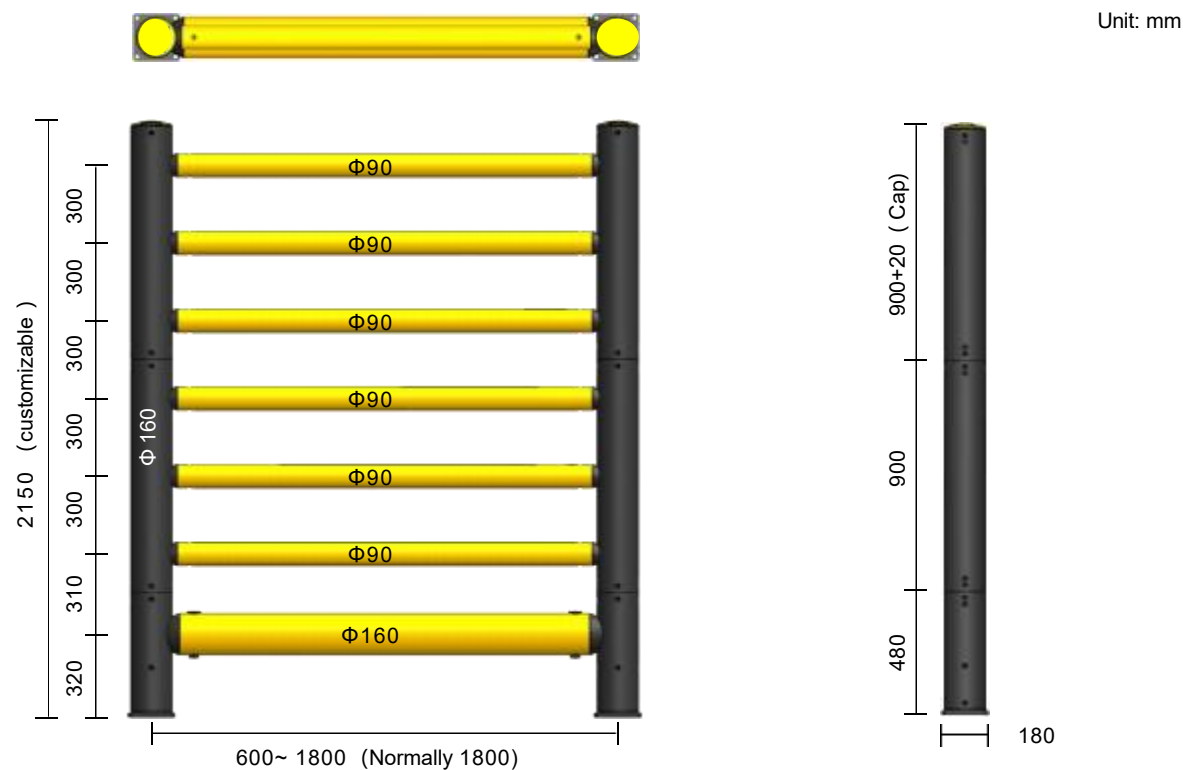
Refer to PAS 13 TUV certified



MC High Barriers

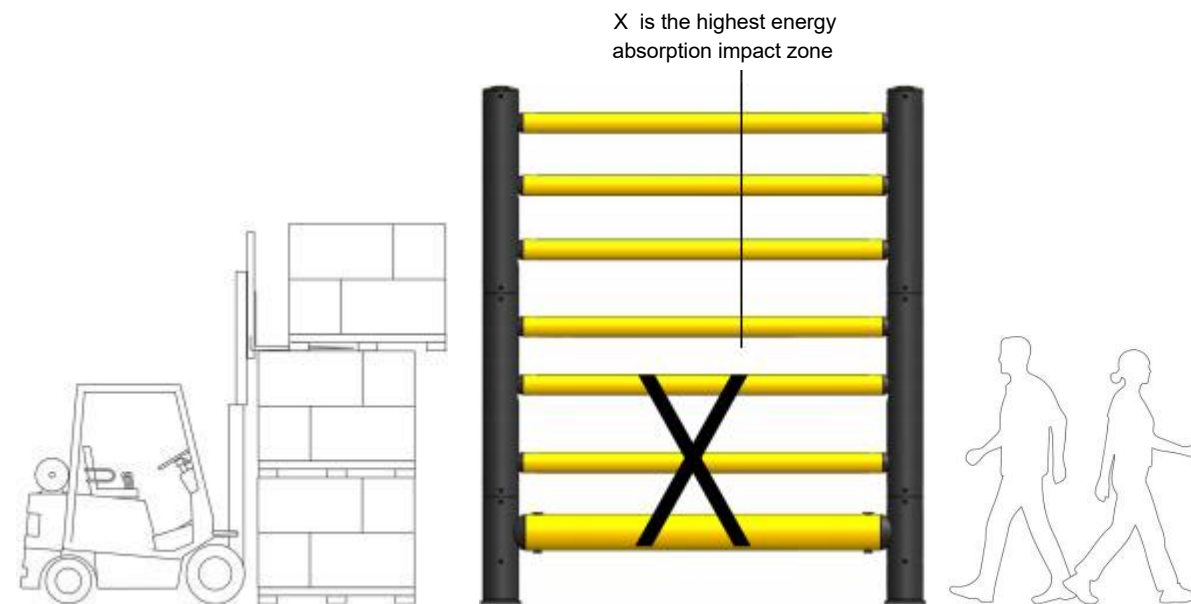


Scenes: Replacing traditional isolation fence, secure high-storage zones, prevent the dangerous toppling of stacked goods.



Parts	Description
Pipe, Base, Ground Connection Parts	Same as MC Triple Barriers (details in MC Triple Barriers)

- Traffic black RAL9017
- Signal yellow RAL1003



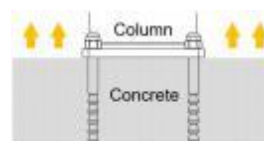
Absorbable impact energy: Same as MC Triple Barriers (details in MC Triple Barriers)

3 Tonne vehicle at **6.0** km/h

4167 Joules

3 Tonne vehicle at **3.5** km/h

1418 Joules



Adopting German imported reinforcement glue and anchor bolt which can bear 33kN tensile load

Refer to PAS 13 TUV certified



ME+ High Barriers

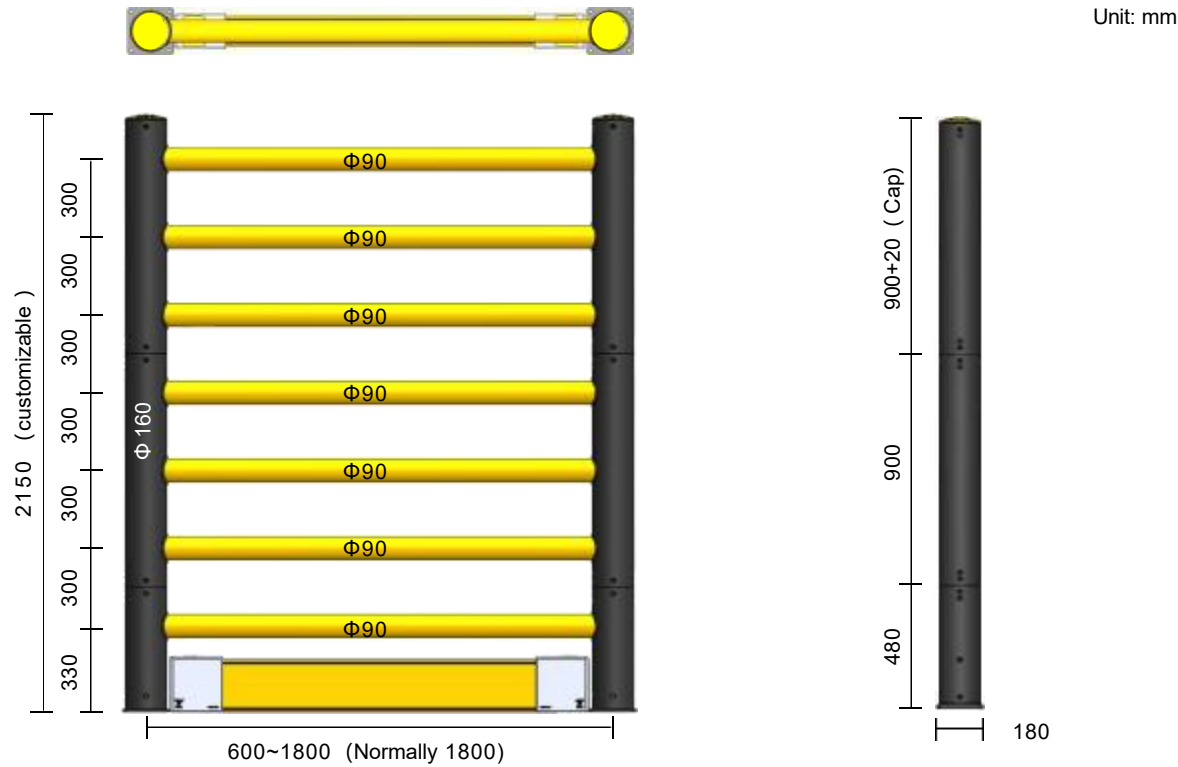





Home

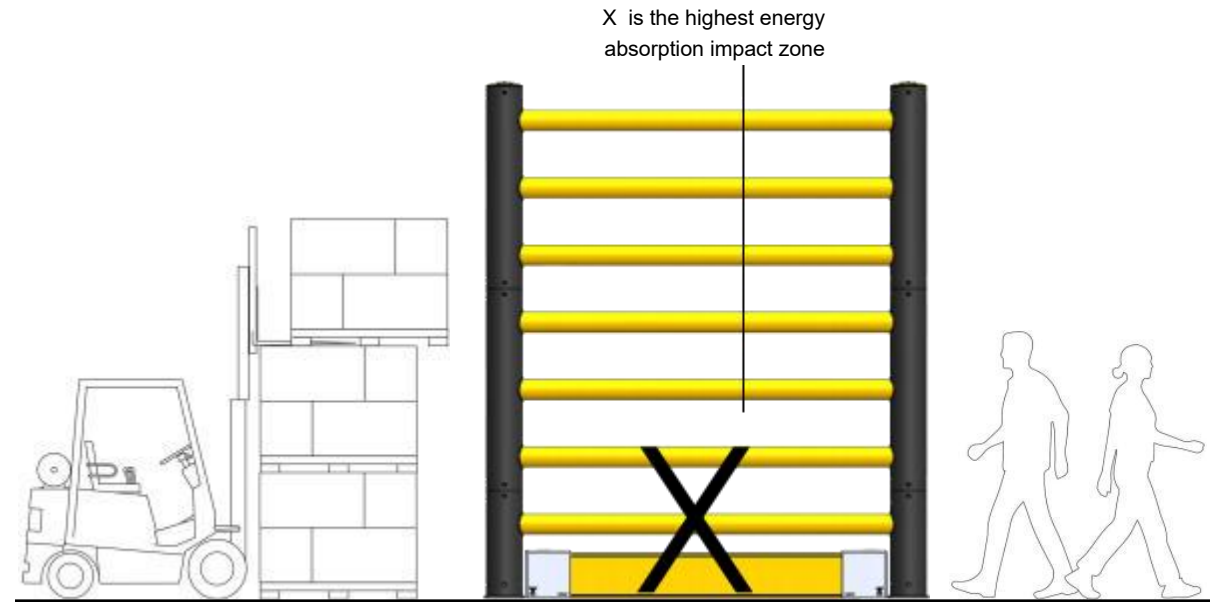
Sub

VICHnet

Scenes: Replacing traditional isolation fence, secure high-storage zones, prevent the dangerous toppling of stacked goods.



Parts	Description
Pipe, Base, Ground Connection Parts	Same as ME+ Triple Barriers (details in ME+ Triple Barriers)
 Traffic black RAL9017	 Signal yellow RAL1003
 Grey white RAL9002	



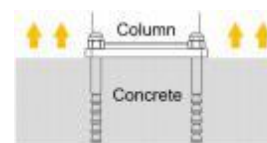
Absorbable impact energy: ME + Triple Barriers (details in ME + Triple Barriers)

3 Tonne vehicle at **5.5** km/h

3502 Joules

3 Tonne vehicle at **3.0** km/h

1042 Joules



Adopting German imported reinforcement glue and anchor bolt which can bear 33kN tensile load

Refer to PAS 13 TUV certified

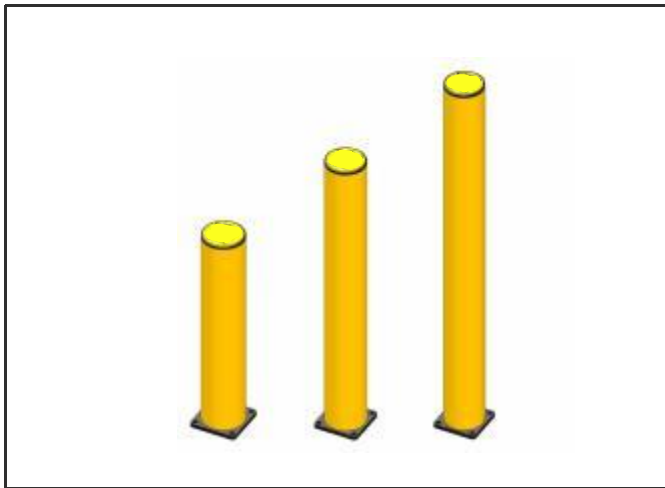




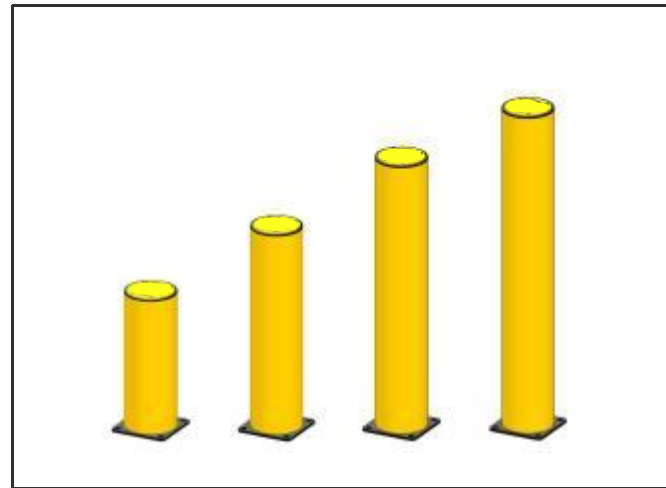
Bollards



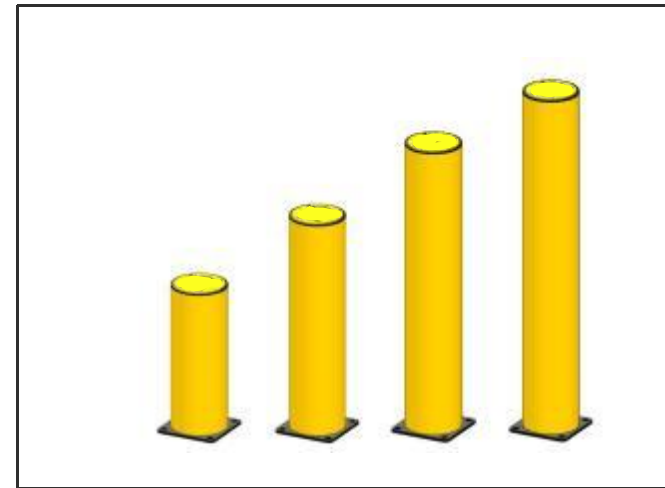
*Intelligent Safety
Protection Experts*



125 Bollards (Page 45)



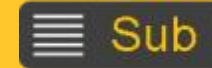
160 Bollards (Page 46)



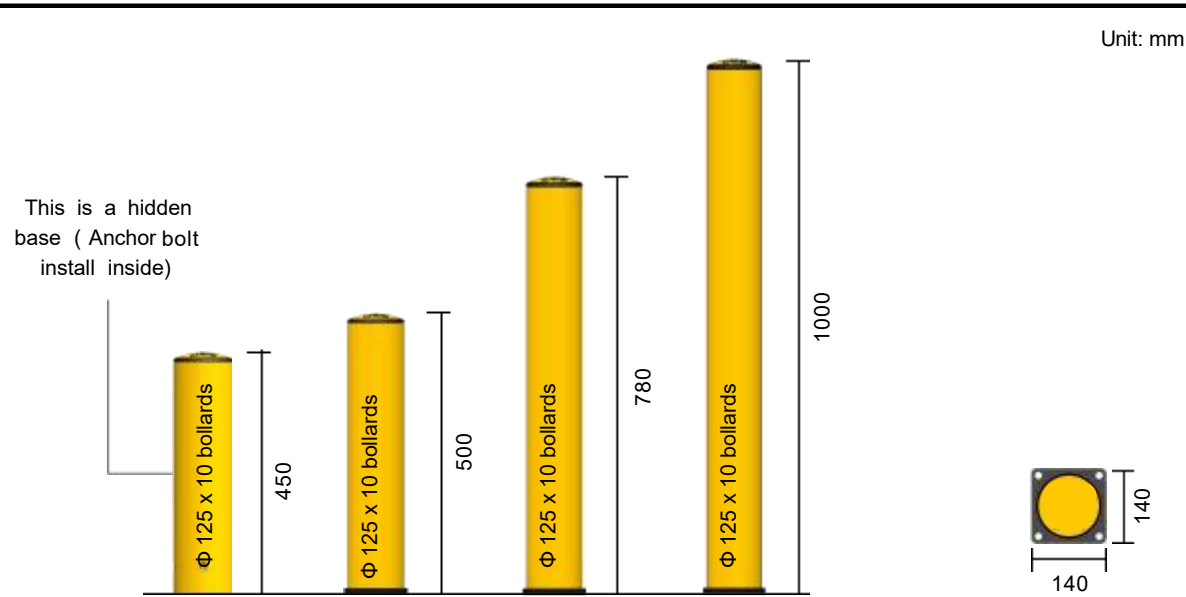
180 Bollards (Page 47)



125 Bollards

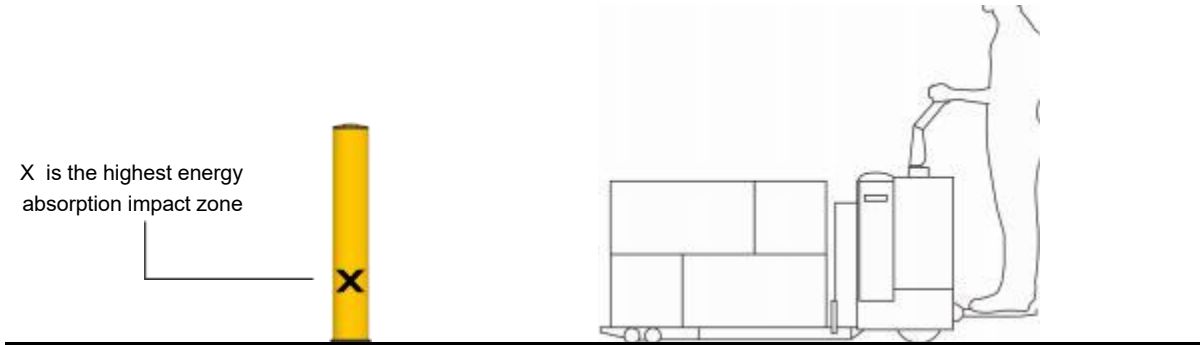


Scenes: Protect independent areas such as isolation, gate, etc.



Parts	Description
Pipe	Developed by imported polymer plastic, which have strong weather and chemical resistance, not easy to age; natural color with low chemical activity, UV resistance meets ISO4892-3; no corrosion.
Base	Metal, rubber and other materials combined assembly, exposed metal is treat by black powder coating, withstand 500 hours exposure to neutral salt spray with no rust.
Ground Connection	Fixed by inverted cone chemical anchor bolt, with dacromet, withstand 1000 hours exposure to neutral salt spray with no rust; fastened by SS304 cap nut.

Traffic black RAL9017
 Signal yellow RAL1003



Absorbable impact energy: Forklift and bollards 90 degrees, impact of forklift on the 200mm height area

1.5 Tonne vehicle at 4.0 km/h

926 Joules



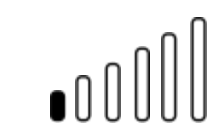
Absorb energy through deformation



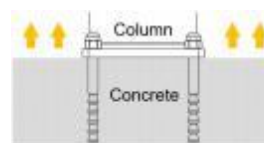
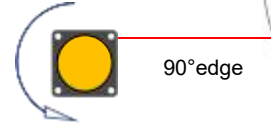
Absorbable impact energy: Forklift and bollards 90 degrees, impact of forklift on the edge of bollards

1.5 Tonne vehicle at 4.0 km/h

926 Joules



Absorb energy through twist



Adopting German imported reinforcement glue and anchor bolt which can bear 33kN tensile load

Refer to PAS 13 TUV certified



160 Bollards

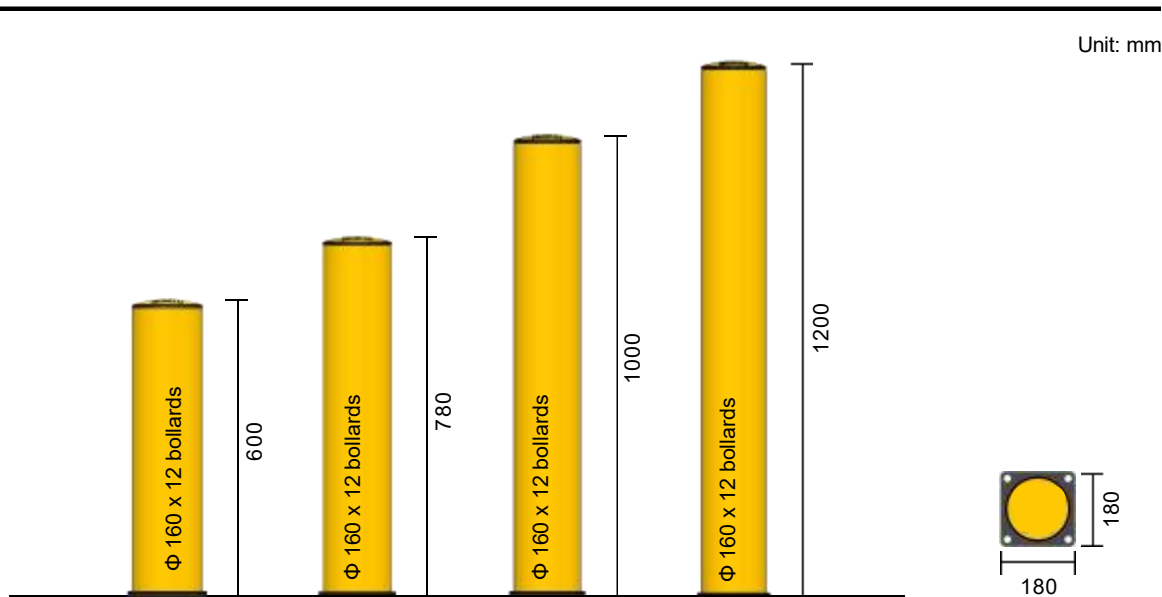


Home

Sub

VICHnet

Scenes: Protect independent areas such as isolation, gate, etc.



Parts	Description
Pipe	Developed by imported polymer plastic, which have strong weather and chemical resistance, not easy to age; natural color with low chemical activity, UV resistance meets ISO4892-3; no corrosion.
Base	Metal, rubber and other materials combined assembly, exposed metal is treat by black powder coating, withstand 500 hours exposure to neutral salt spray with no rust.
Ground Connection	Fixed by inverted cone chemical anchor bolt, with dacromet, withstand 1000 hours exposure to neutral salt spray with no rust; fastened by SS304 cap nut.

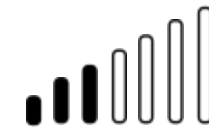
Traffic black RAL9017
 Signal yellow RAL1003



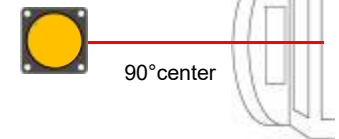
Absorbable impact energy: Forklift and bollards 90 degrees, impact of forklift on the 200mm height area

3.0 Tonne vehicle at 4.5 km/h

2344 Joules



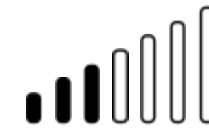
Absorb energy through deformation



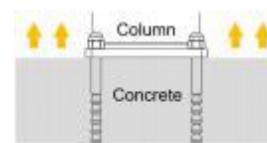
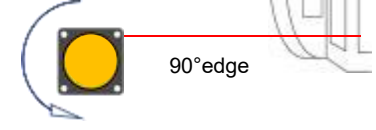
Absorbable impact energy: Forklift and bollards 90 degrees, impact of forklift on the edge of bollards

3.0 Tonne vehicle at 4.5 km/h

2344 Joules



Absorb energy through twist

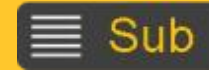


Adopting German imported reinforcement glue and anchor bolt which can bear 33kN tensile load

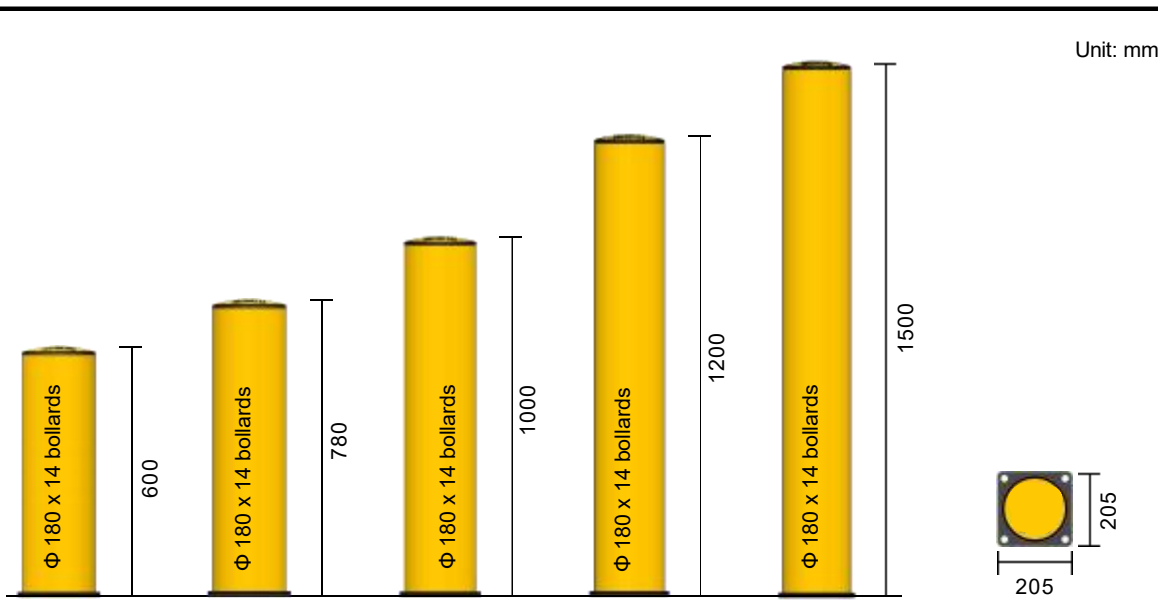
Refer to PAS 13 TUV certified



180 Bollards



Scenes: Protect independent areas such as isolation, gate, etc.



Parts	Description
Pipe	Developed by imported polymer plastic, which have strong weather and chemical resistance, not easy to age natural color with low chemical activity, UV resistance meets ISO4892-3; no corrosion.
Base	Metal, rubber and other materials combined assembly, exposed metal is treat by black powder coating, withstand 500 hours exposure to neutral salt spray with no rust.
Ground Connection	Fixed by inverted cone chemical anchor bolt, with dacromet, withstand 1000 hours exposure to neutral salt spray with no rust; fastened by SS304 cap nut.

Traffic black RAL9017
 Signal yellow RAL1003

X is the highest energy absorption impact zone



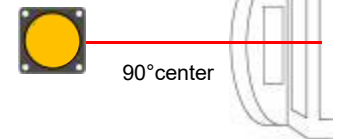
Absorbable impact energy: Forklift and bollards 90 degrees, impact of forklift on the 200mm height area

5.0 Tonne vehicle at 4.5 km/h

3906 Joules



Absorb energy through deformation



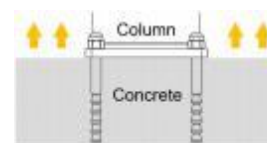
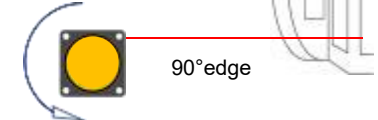
Absorbable impact energy: Forklift and bollards 90 degrees, impact of forklift on the edge of Bollards

5.0 Tonne vehicle at 4.5 km/h

3906 Joules



Absorb energy through twist



Adopting German imported reinforcement glue and anchor bolt which can bear 33kN tensile load

Refer to PAS 13 TUV certified

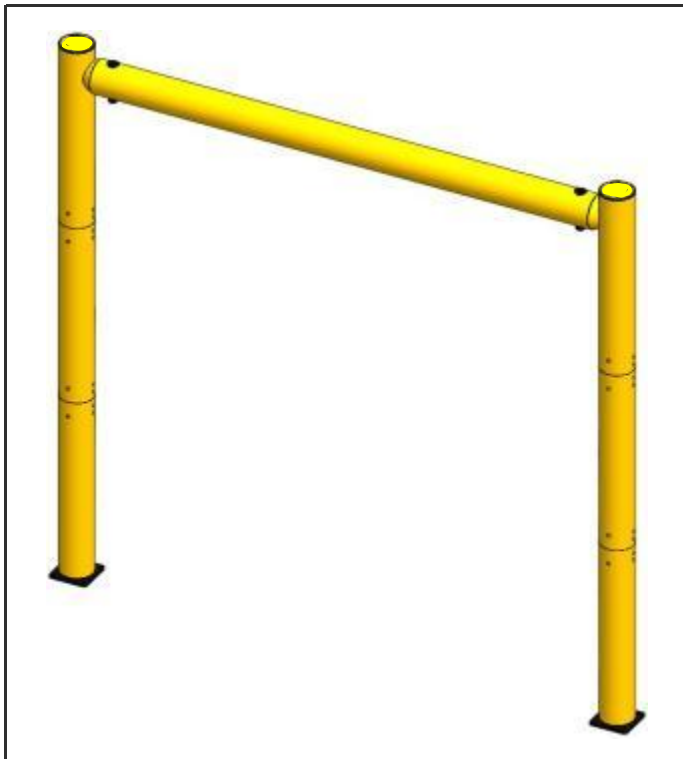




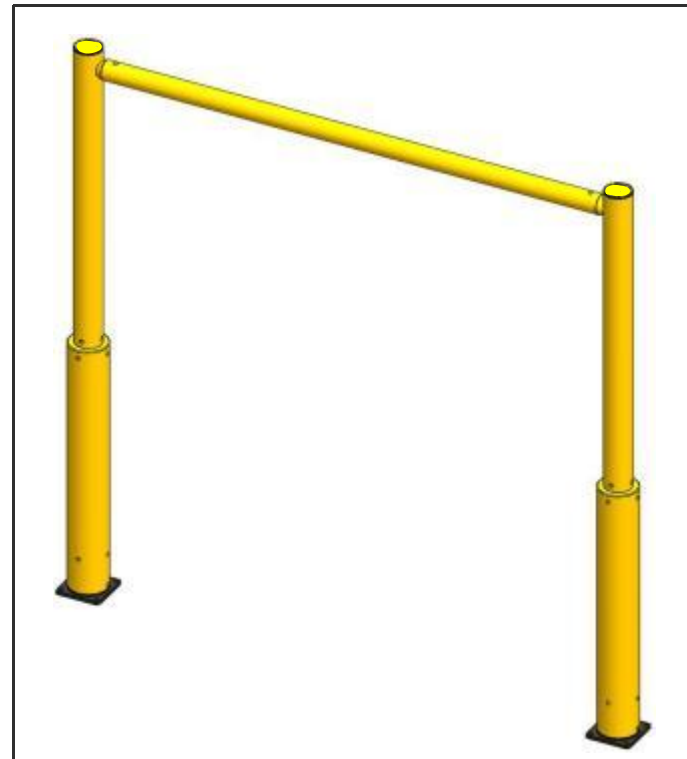
Height Restrictor



*Intelligent Safety
Protection Experts*



HC Height Restrictor (Page 49)



HL Height Restrictor (Page 50)



HC Height Restrictor

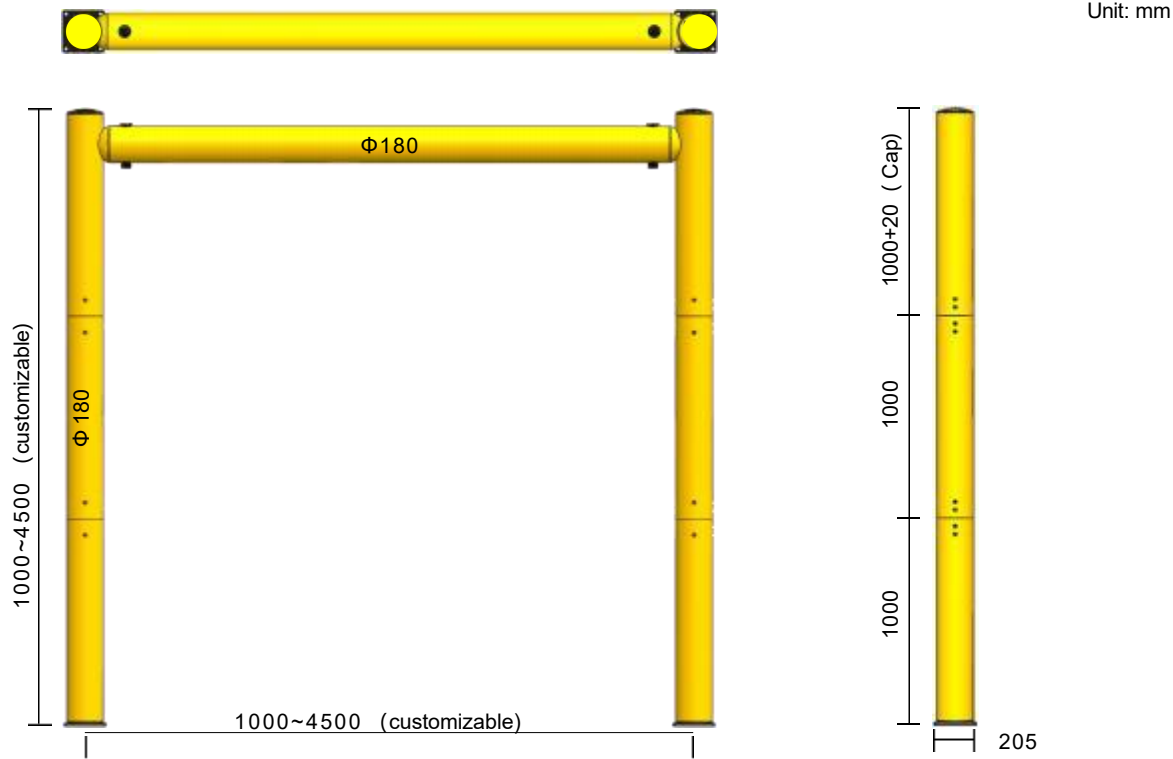


Home

Sub

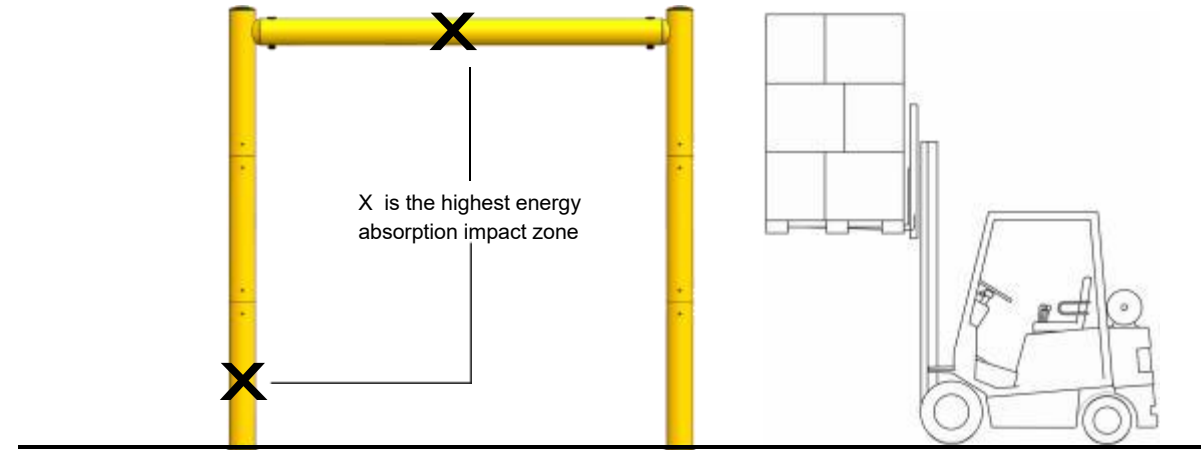
VICHnet

Scenes: Safeguards infrastructure, such as doorframes, warn height of vehicle or load, prevent damage from vehicle.



Parts	Description
Pipe, Base, Ground Connection Parts	Same as HC Single Barriers (details in HC Single Barriers)

Traffic black RAL9017
 Signal yellow RAL1003



Absorbable impact energy:
Forklift and Height Restrictor 90 degrees, impact of fork on the middle of 3.5m beam

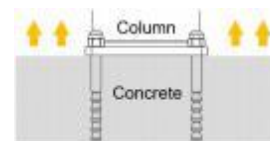
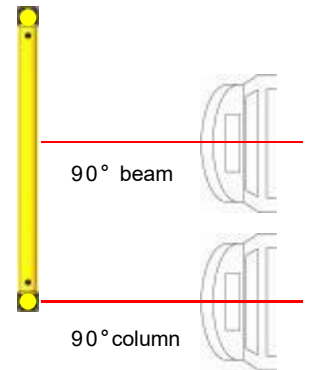
5.0 Tonne vehicle at 3.0 km/h

1735 Joules

Absorbable impact energy:
Forklift and bollards of Height Restrictor 90 degrees, impact of forklift tail on the column

5.0 Tonne vehicle at 3.0 km/h

1735 Joules



Adopting German imported reinforcement glue and anchor bolt which can bear 33kN tensile load

Refer to PAS 13 TUV certified



HL Height Restrictor

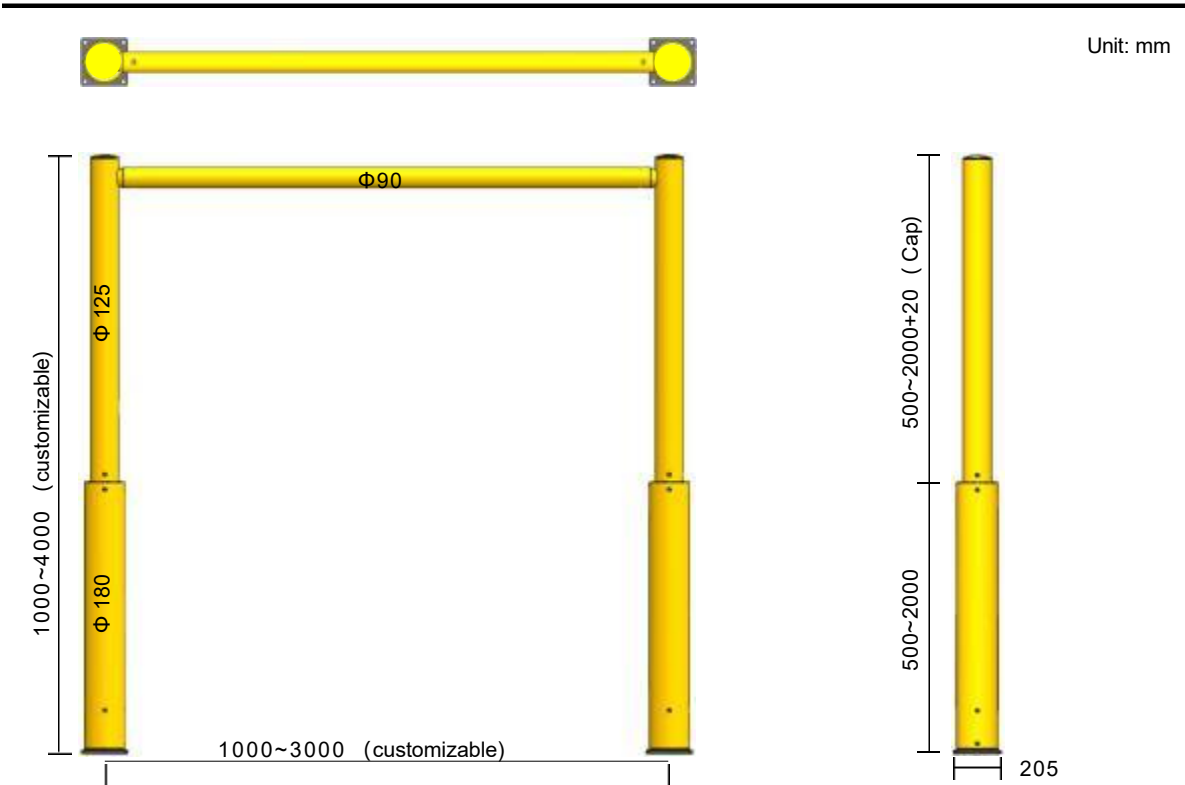


Home

Sub

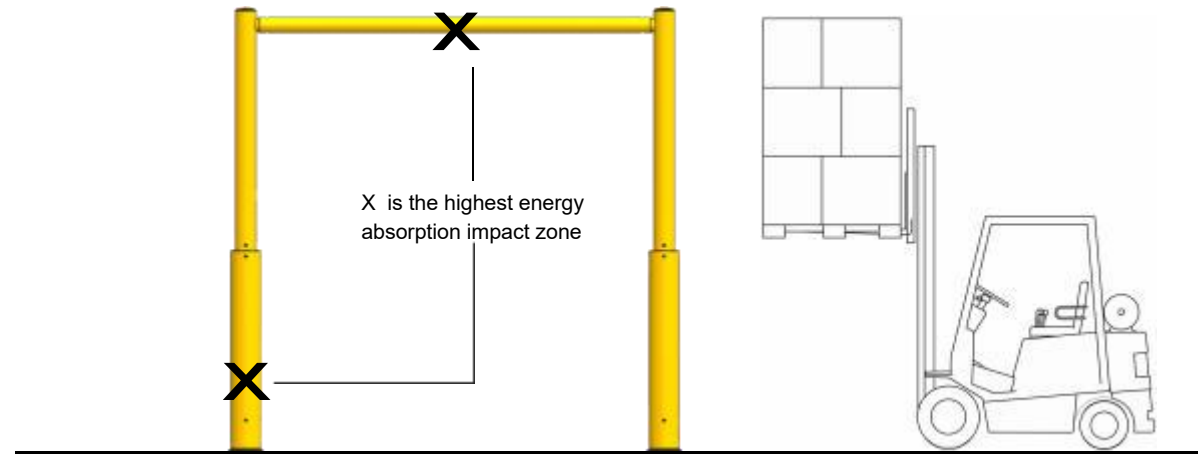
VICHnet

Scenes: Safeguards infrastructure, such as doorframes, warn height of vehicle or load, prevent damage from light vehicle.



Parts	Description
Pipe, Base, Ground Connection Parts	Same as HC Double Barriers (details in HC Double Barriers)

Traffic black RAL9017
 Signal yellow RAL1003

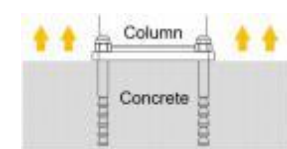
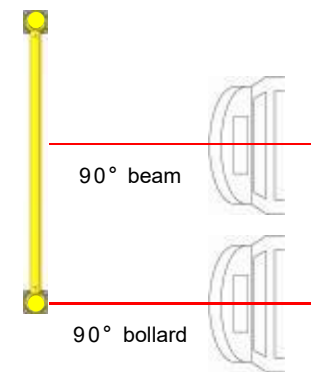


Absorbable impact energy:
Forklift and Height Restrictor 90 degrees, impact of fork on the middle of 2.5m beam

3 Tonne vehicle at 3.5 km/h
1418 Joules

Absorbable impact energy:
Forklift and Height Restrictor 90 degrees, impact of fork on the bollard

3 Tonne vehicle at 3.5 km/h
1418 Joules



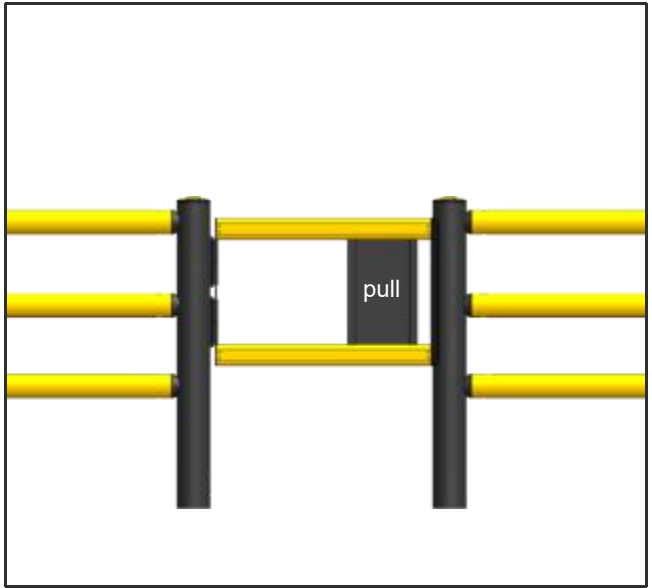
Adopting German imported reinforcement glue and anchor bolt which can bear 33kN tensile load

Refer to PAS 13 TUV certified

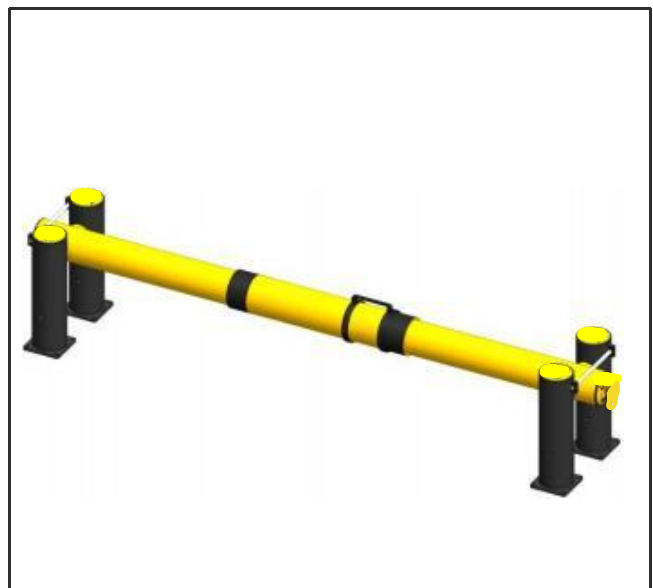




Door



Turnstile-Single Door (Page 52)

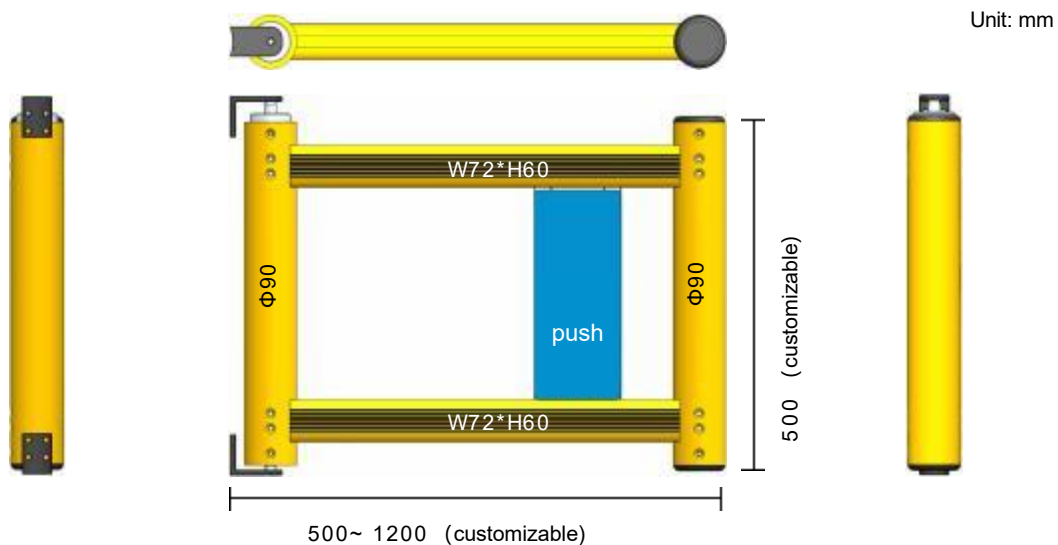


Dock Gate (Page 53)

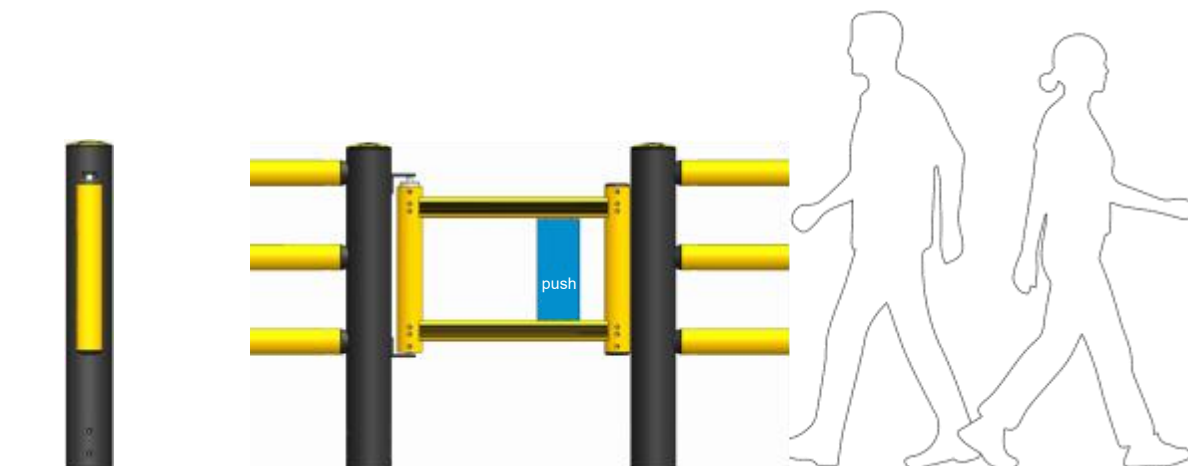
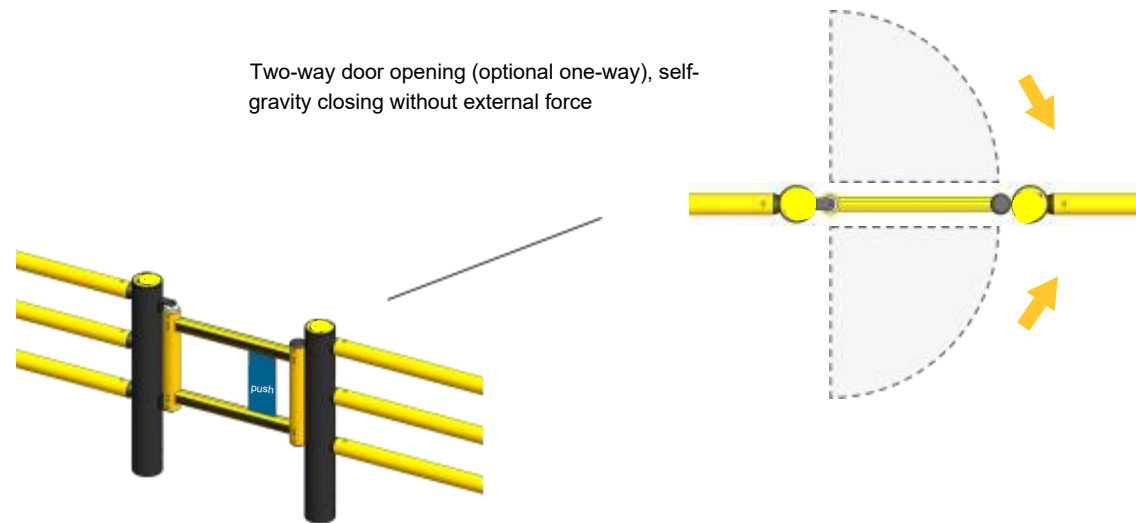
Turnstile- Single Door



Scenes: Install beside Triple Barriers, which have one-way door opening and two-way door opening.



Parts	Description
Pipe	Developed by imported polymer plastic, which have strong weather and chemical resistance, not easy to age; natural color with low chemical activity, UV resistance meets ISO4892-3; no corrosion.
Signage	The bracket is made of GB1530 standard 6063 aluminum profile, with silver-white oxidation, which is bright. signs are made of PVC plastic and covered membrane. Dustproof, waterproof, sunscreen, strong toughness, no deformation, no discoloration.
Metal parts	Connectors and end caps are treat by powder coating, withstand 500 hours exposure to neutral salt spray with no rust. The rotating parts are made of SS304.



Dock Gate

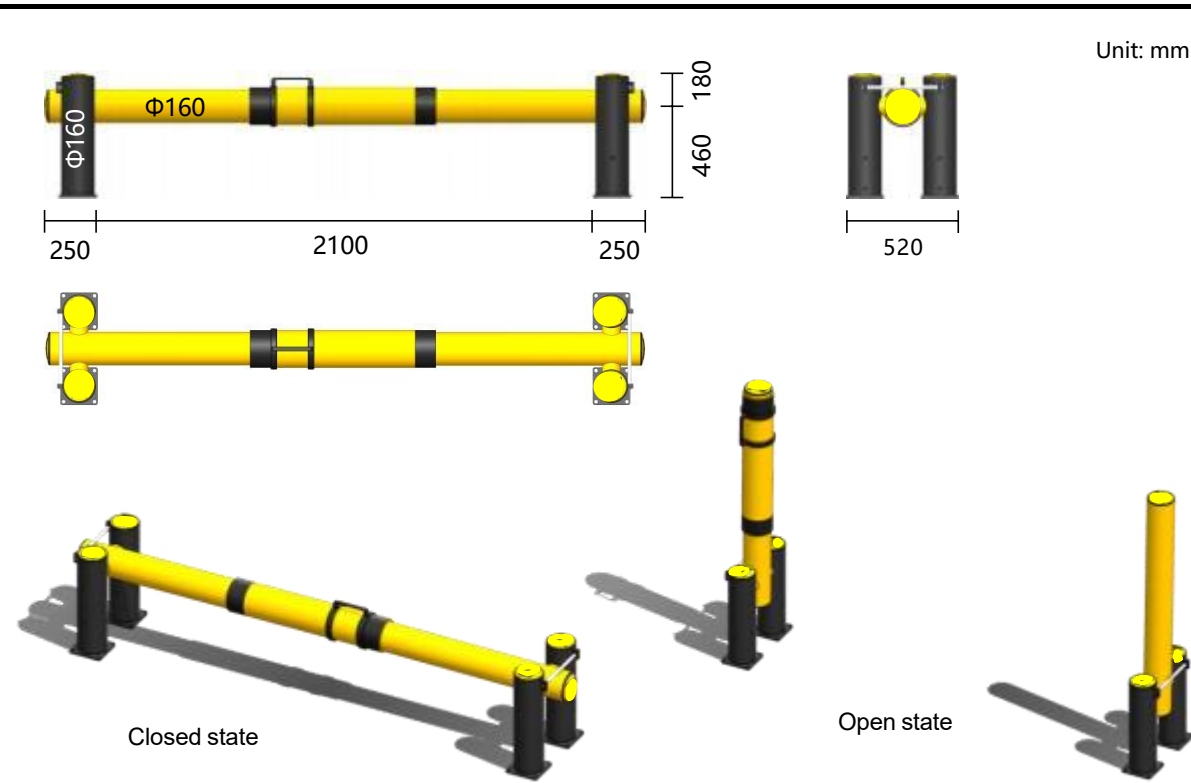


Home

Sub

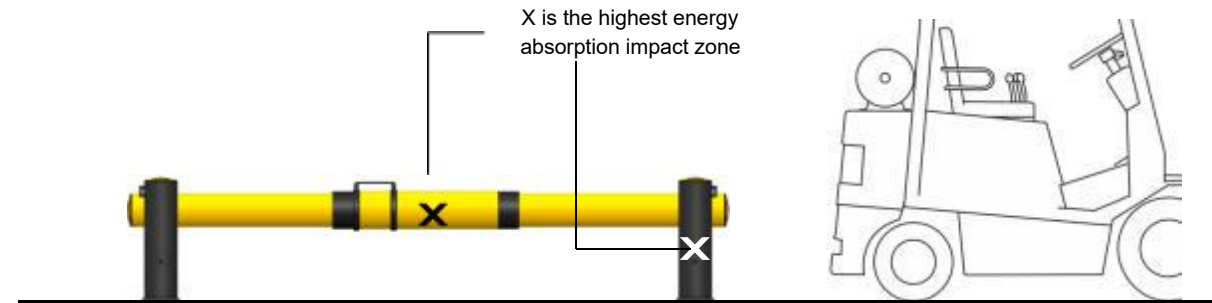
VICHnet

Scenes: It is suitable for platform application to prevent people, vehicles and articles from falling off the platform.



Unit: mm

Parts	Description
Pipe, Base, Ground Connection Parts	Same as MC Single Barriers (details in MC Single Barriers)
Traffic black RAL9017	Signal yellow RAL1003



Absorbed impact energy: forklift and beam 90 degrees, forklift tail impact on the middle of the beam

3.0 Tonne vehicle at **3.5** km/h

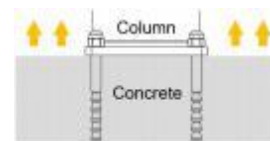
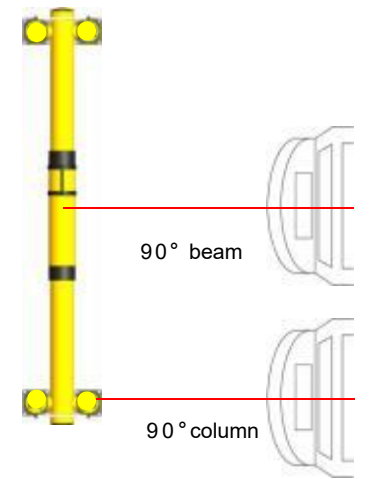
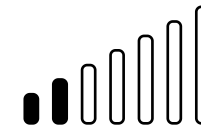
1411 Joules



Absorbed impact energy: forklift and column 90 degrees, forklift tail impact on the middle of the column

3.0 Tonne vehicle at **3.5** km/h

1411 Joules



Adopting German imported reinforcement glue and anchor bolt which can bear 33kN tensile load

Refer to PAS 13 TUV certified

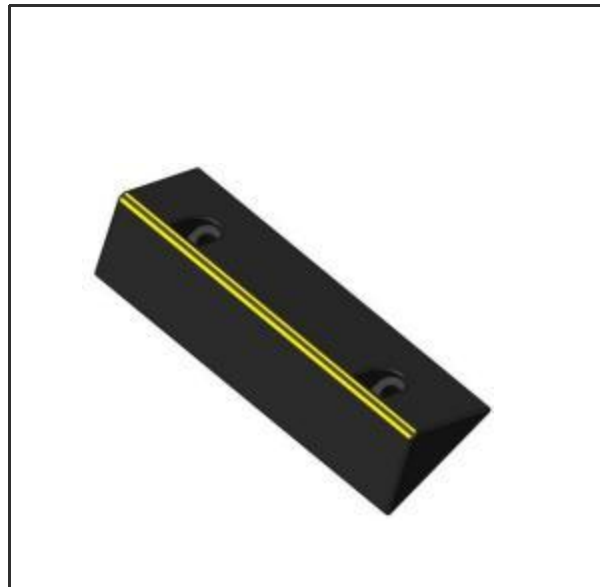




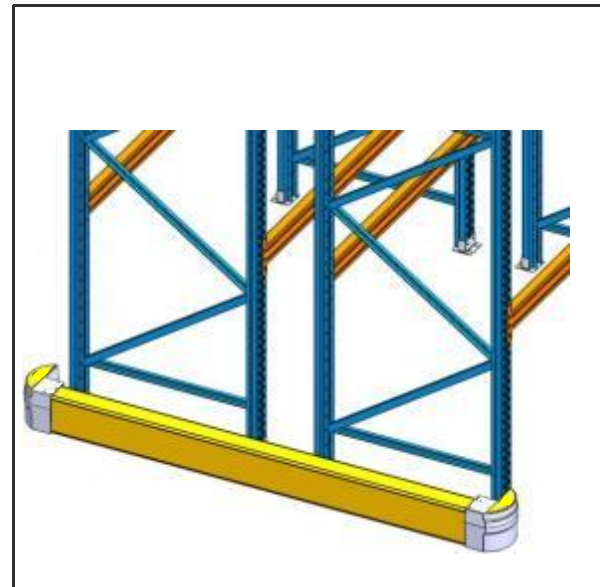
Shelf Protection



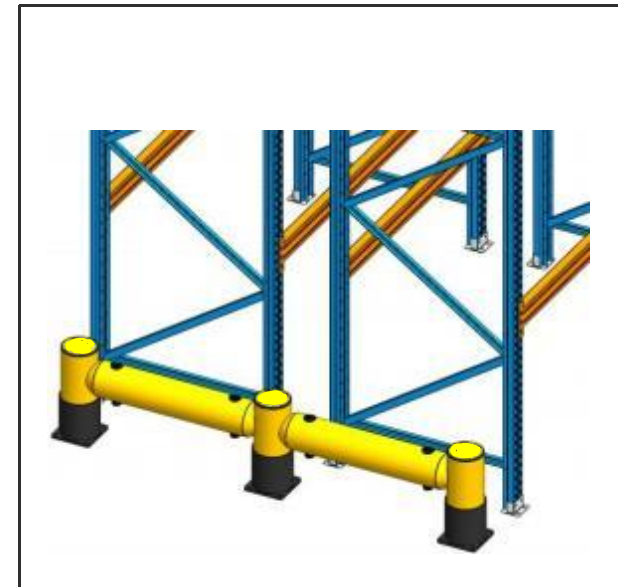
Flexible Plastic Foot Guard (Page 55)



L-Shaped Wheel Chock (Page 56)



End Protection-Ground Barriers (Page 57)



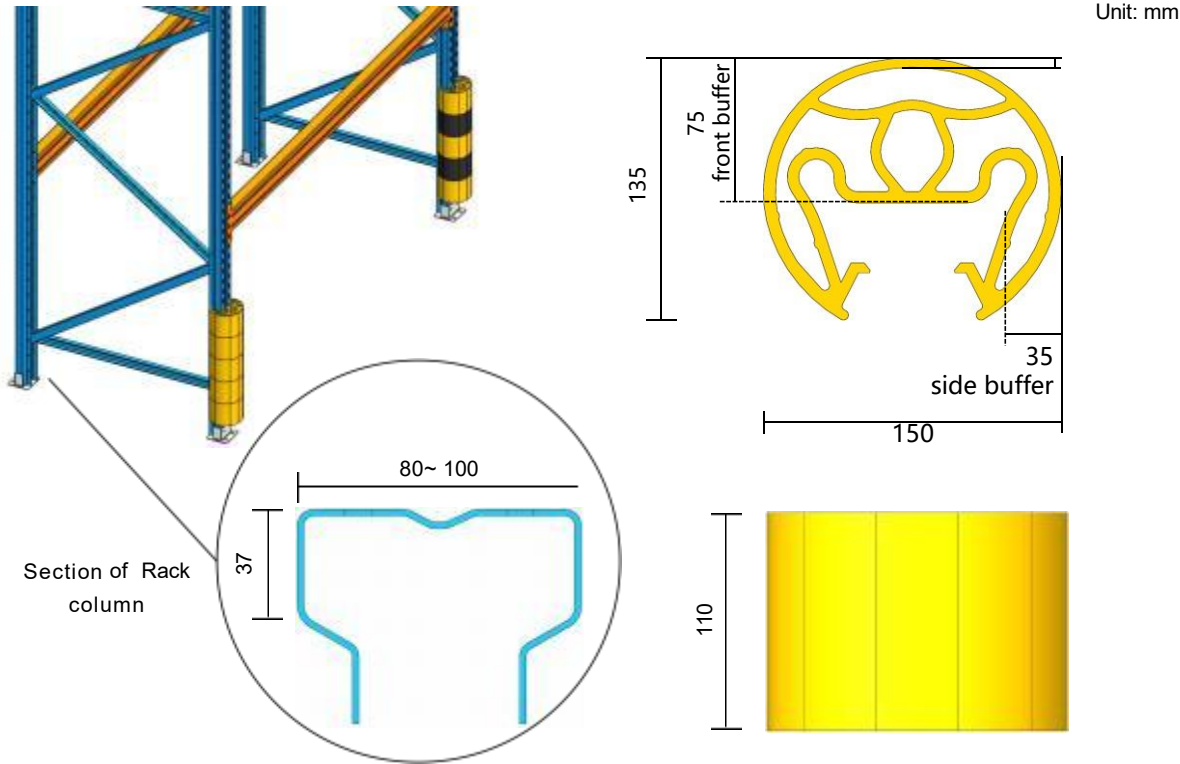
End Protection-Barriers (Page 58)



Flexible Plastic Foot Guard



Scenes: Protect of 80~100 size columns, prevent forklifts to cause damage to the shelves.



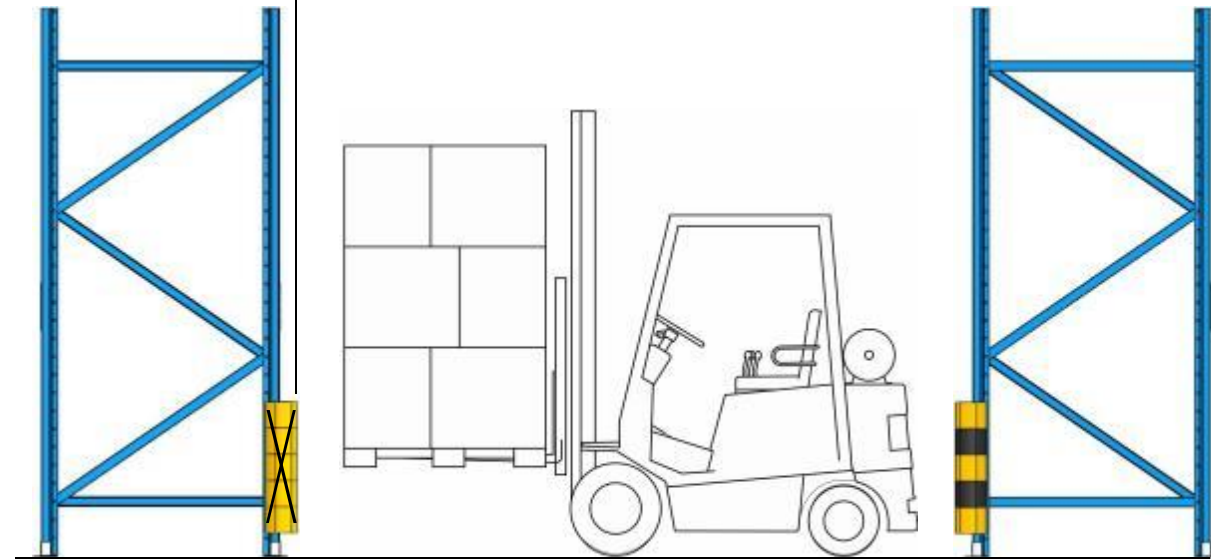
Unit: mm

Parts	Description
Material	Macromolecule plastic, strong weather resistance, not easy to aging; natural color; no corrosion.

- Traffic black RAL9017
- Signal yellow RAL1003

X front is the highest energy absorption impact zone

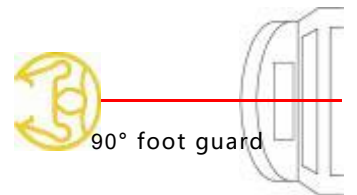
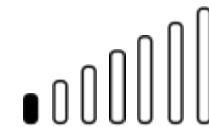
Refer to PAS 13
TUV certified



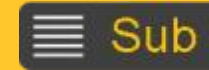
Absorbable impact energy: Forklift and column 90 degrees, Impact of forklift tail on more than 3 rack leg protectors

3 Tonne vehicle at 2.5 km/h

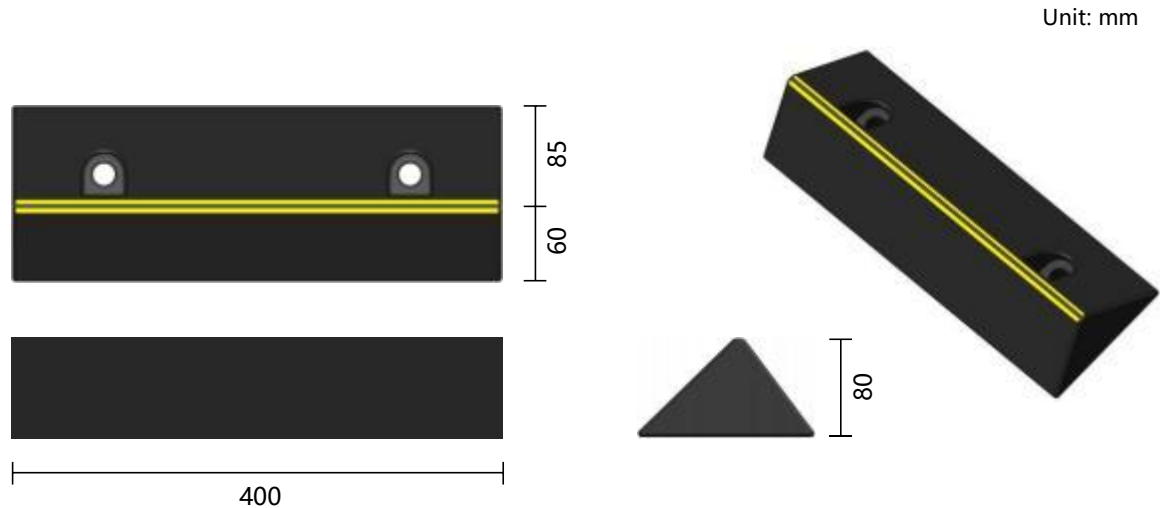
722 Joules



L-Shaped Wheel Chock



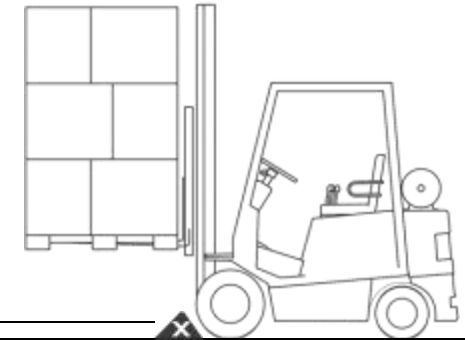
Scenes: It is suitable for the blocking of the wheels when the forklift moves forward, so as to prevent the equipment and facilities from being damaged when the forklift moves forward. Such as: protect the front rack column of the shuttle car, protect the front of the automatic feeding machine, etc.



Parts	Description
Rubber	Made of natural rubber (NR) material and treated with carbon black, it has good mechanical strength, cold resistance, bending resistance, good insulation, good air permeability, etc. It has high elasticity at room temperature, and its modulus, besides, the elongation, wear resistance, etc. are excellent.
Reflective Tape	Used by 3M diamond reflective tapes, which has a lot of qualified features, such as waterproof, moisture-proof, scratch-resistant, anti-exposure, anti-freezing, anti-cracking, and so on.
Ground Connection	Fixed by inverted cone chemical anchor bolt, with dacromet, withstand 1000 hours exposure to neutral salt spray with no rust; fastened by SS304 cap nut.

Traffic black RAL9017
 Signal yellow RAL1003

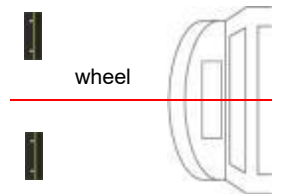
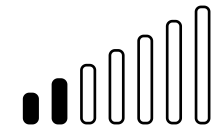
The highest energy absorption impact zone



Absorbed impact energy: forklift and wheel chock 90 degrees, forklift wheels impact on the wheel chock

3.0 Tonne vehicle at **3.0** km/h

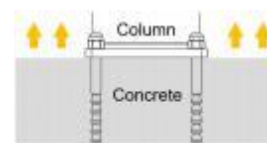
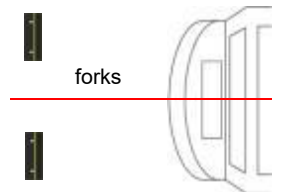
1033 Joules



Absorbed impact energy: forklift and wheel chock 90 degrees, forklift tail impact on the wheel chock

3.0 Tonne vehicle at **3.0** km/h

1033 Joules



Adopting German imported reinforcement glue and anchor bolt which can bear 33kN tensile load

Refer to PAS 13 TUV certified

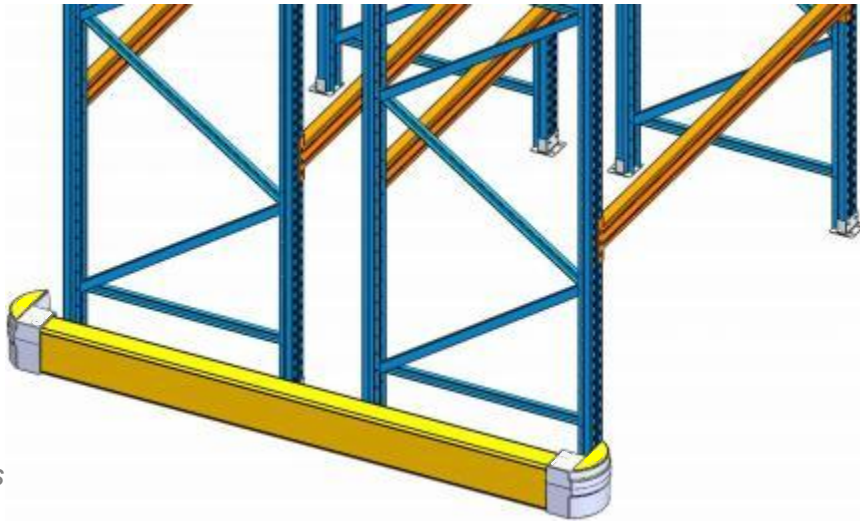




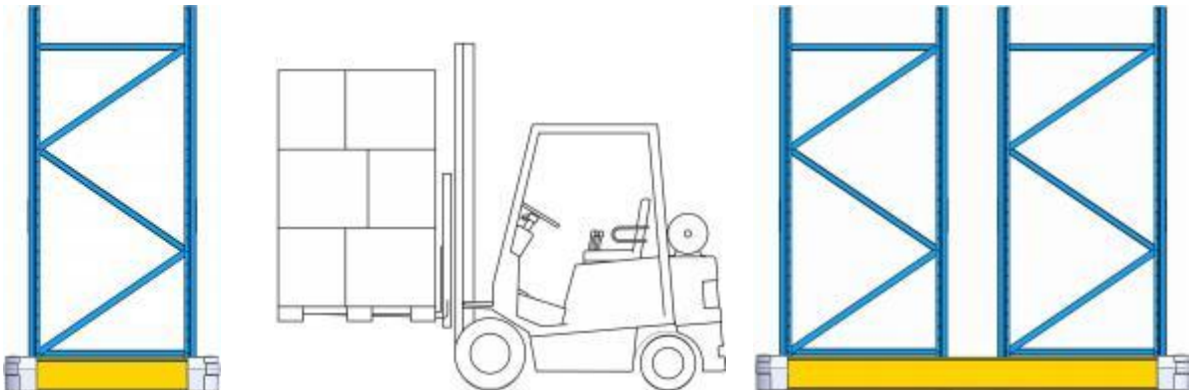
Dimensions and performance:

page 36

Arcuated Ground Barriers



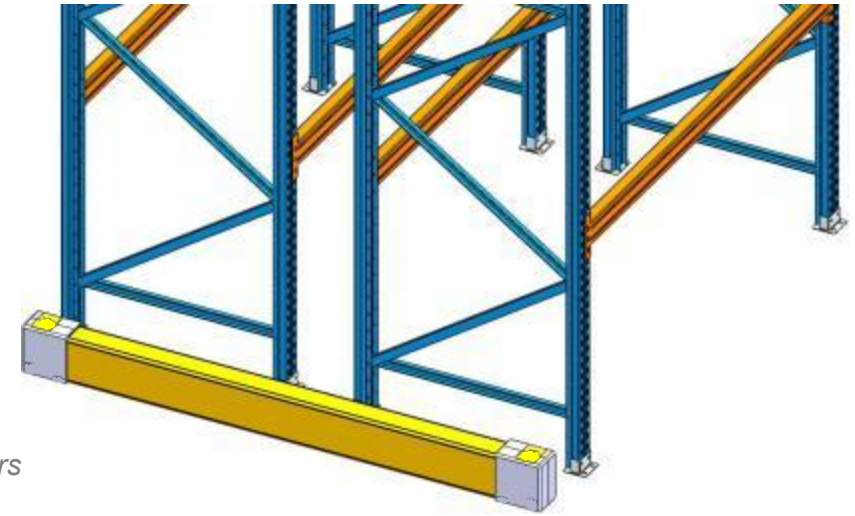
Shelf End Arcuated Ground Barriers



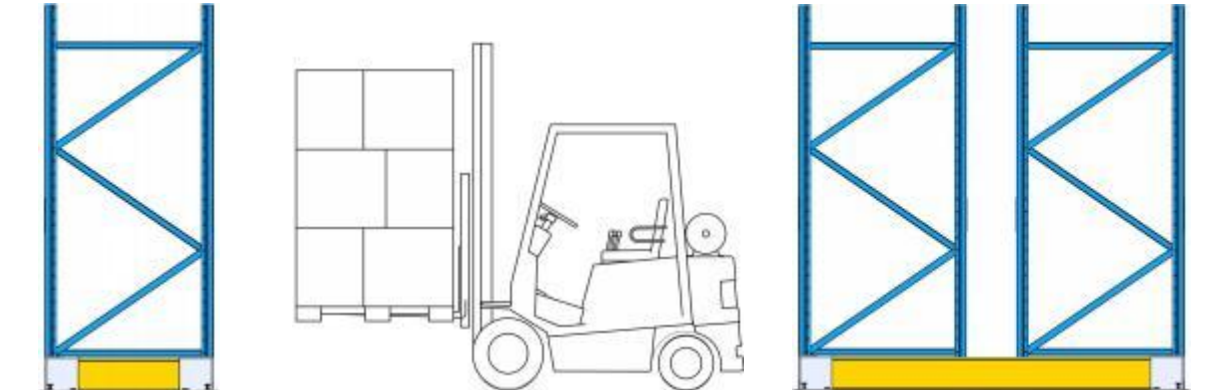
Dimensions and performance:

page 35

Horizontal Ground Barriers



Shelf End Horizontal Ground Barriers

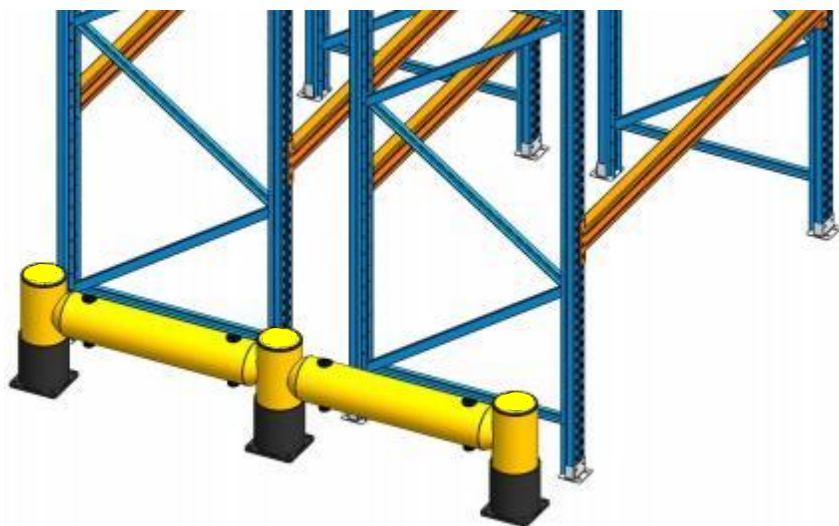




Dimensions and performance:

Page 6

HC Single Barriers



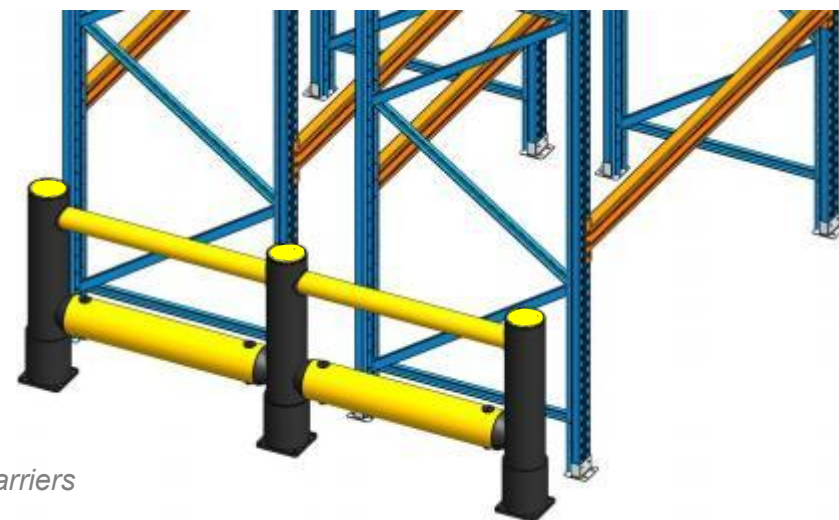
Shelf End HC Single Barriers



Dimensions and performance:

Page 12 / 11

MC Single/MC Double Barriers

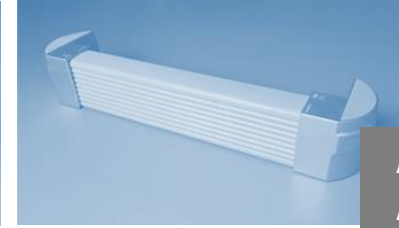


Shelf End MC Single / Double Barriers





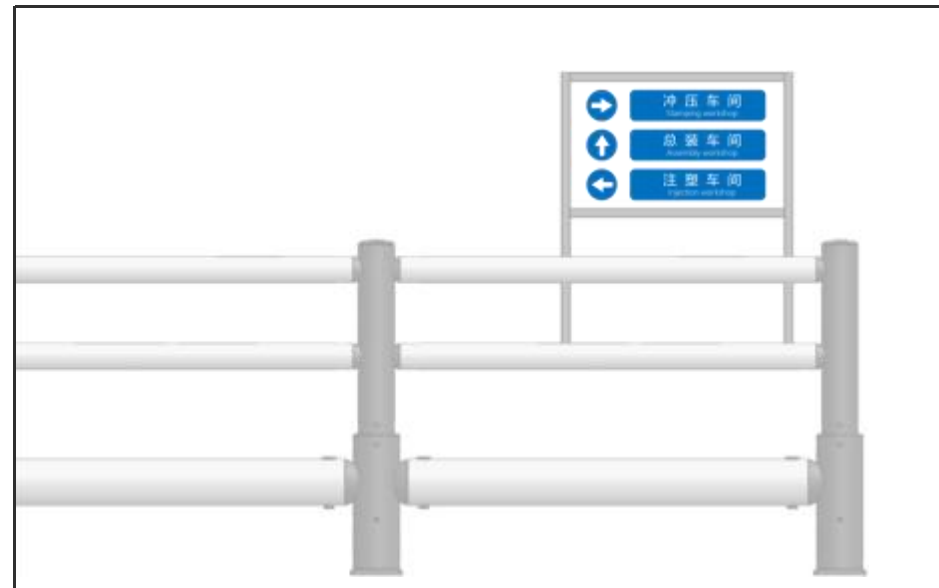
Others



Intelligent Safety
Protection Experts



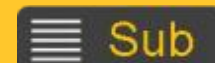
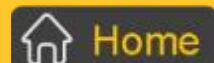
Emergency Light Cover (Page 60)



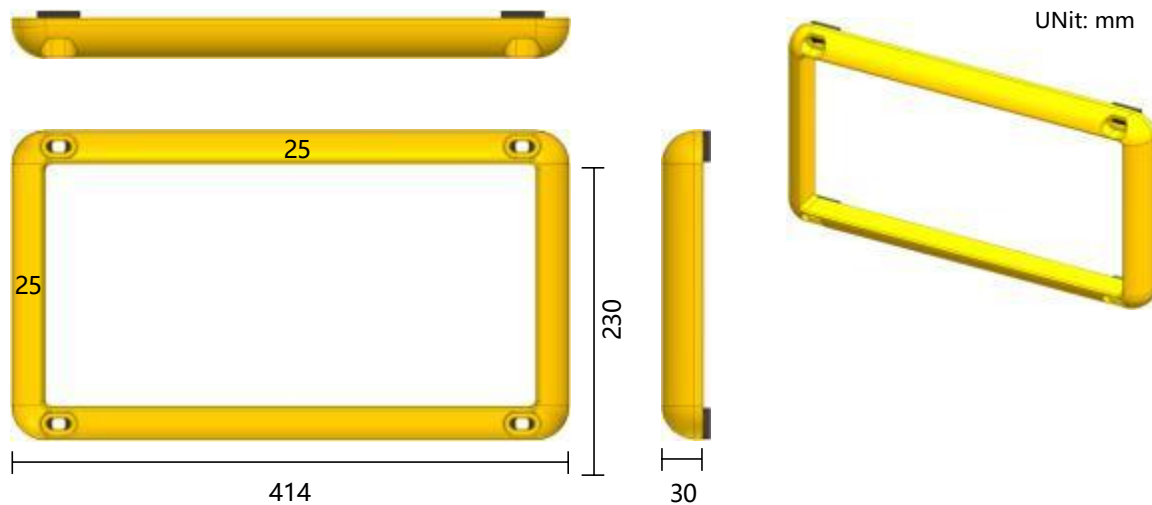
Signate (Page 61)



Emergency Light Cover

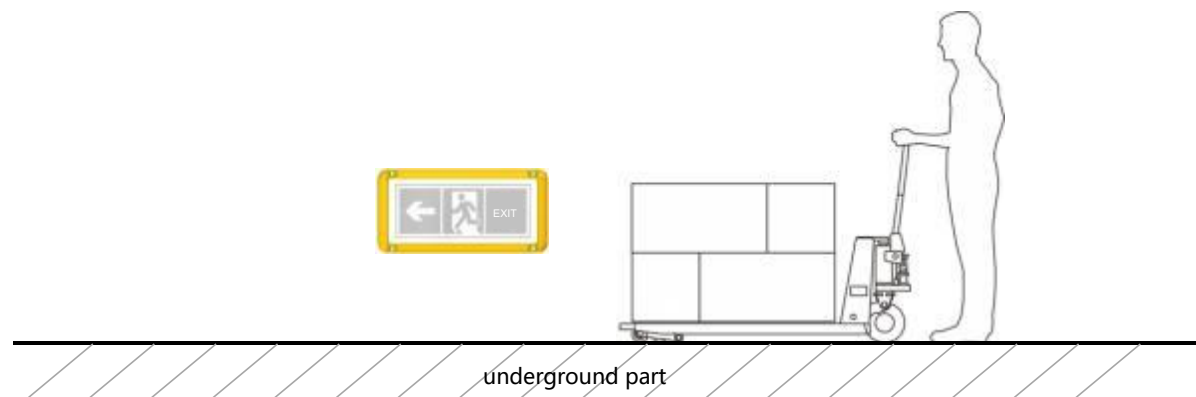


Scenes: It is suitable for the protection of emergency light from damaging.



Parts	Description
Base	Developed by imported polymer plastic, which have strong weather and chemical resistance, not easy to age; natural color with low chemical activity, UV resistance meets ISO4892-3; no corrosion.
Buffer	Made of natural rubber (NR) material and reinforced with carbon black, it has good mechanical strength, cold resistance, bending resistance, insulation, air permeability, etc., and has high elasticity at room temperature.
Ground Connection	It is fixed with stainless steel 304 expansion bolts.

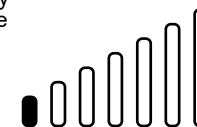
Traffic black RAL9017
 Signal yellow RAL1003



Absorbed impact energy: forklift and emergency light cover 45 degrees, forklift tail impact on the side of the cover

1.0 Tonne vehicle at **3.0** km/h

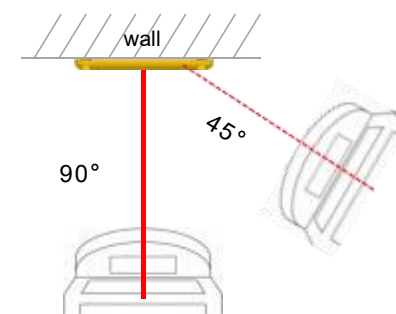
344 Joules



Absorbed impact energy: forklift and emergency light cover 90 degrees, forklift tail impact on the front of the cover

1.0 Tonne vehicle at **3.0** km/h

344 Joules

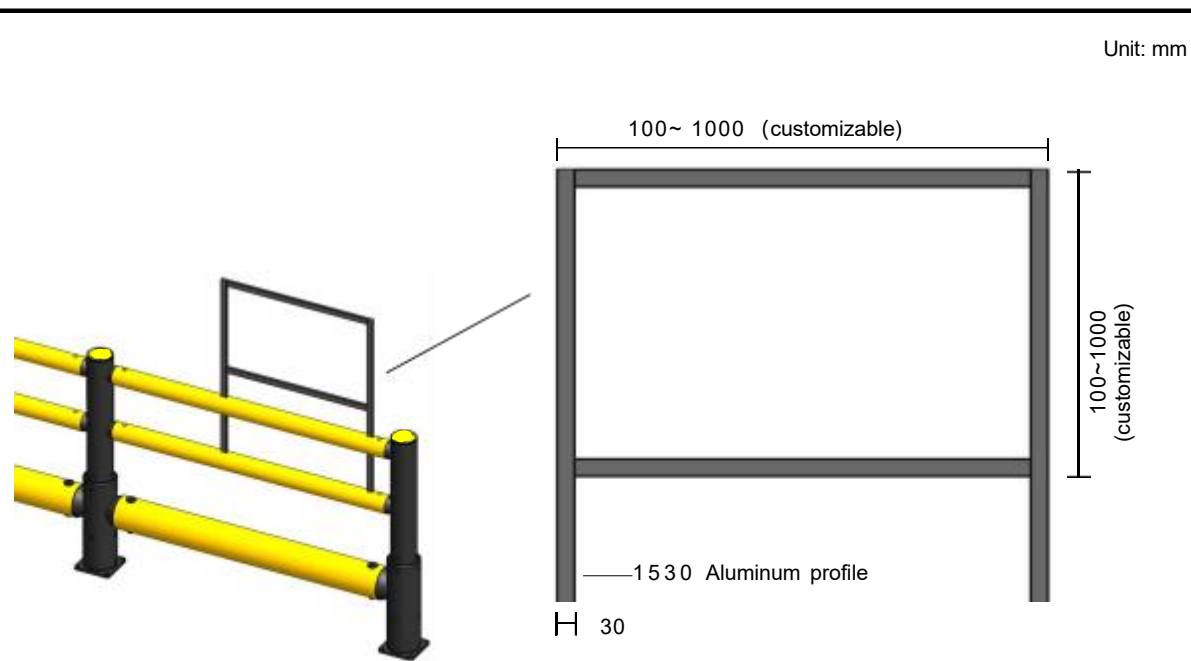


Refer to PAS 13 TUV certified



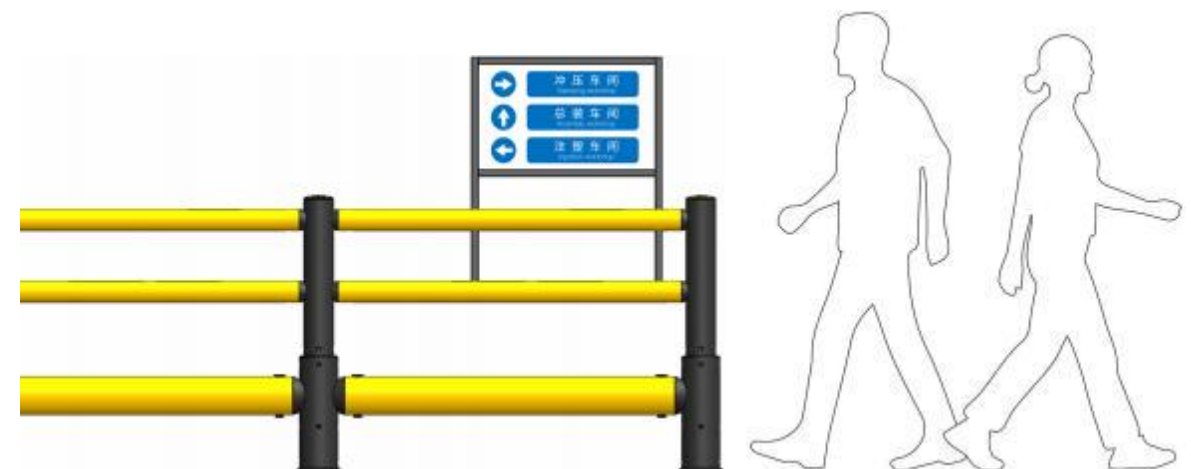
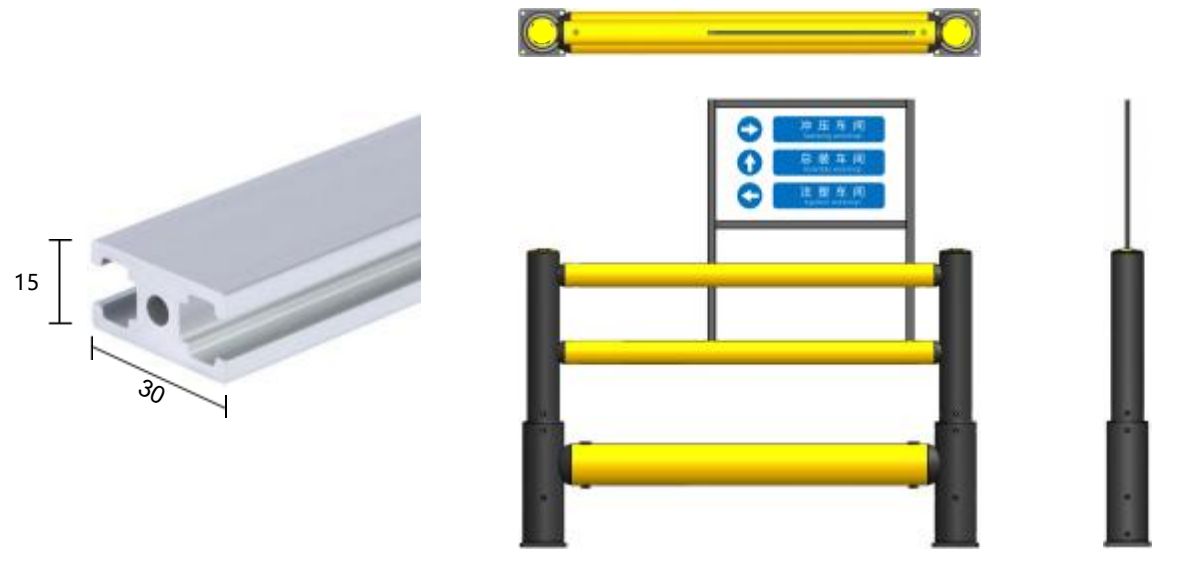


Scenes: Install on H, M and L barriers.



Parts	Description
Bracket	The bracket is made of GB1530 standard 6063 aluminum profile, with silver-white oxidation, which is bright. Waterproof, moisture-proof, anti-corrosion and paint-free.
Signage	Signs are made of PVC plastic and covered membrane. Dustproof, waterproof, sunscreen, strong toughness, no deformation, no discoloration.

Traffic black RAL9017
 Signal yellow RAL1003
 Grey white RAL9002





Information



Headquarters:



Manufacturing Base:



Website: www.powerbelt.hu



Tel: +36 1 611 7149